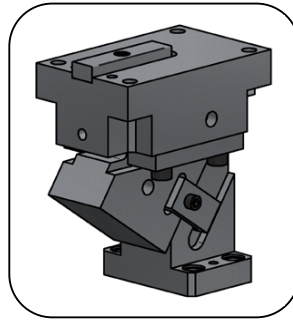




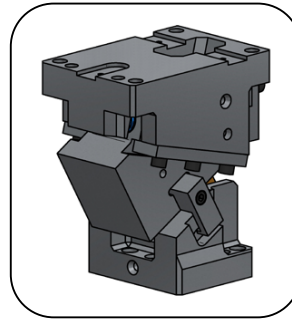
AUKE

Aerial cam for pierce and flange

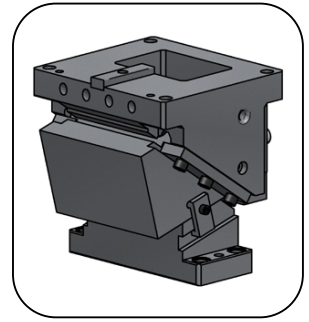
General information



AUKE 0065



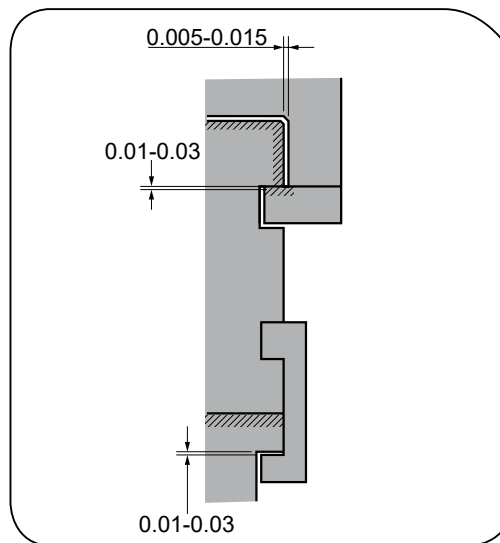
AUKE 0100



AUKE 0200

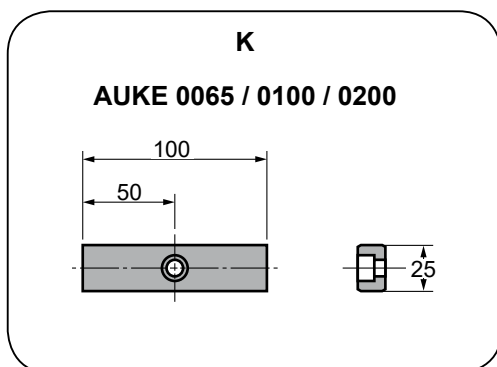
- Aerial cam.
- Angles from 0° to 70° with increments of 5°.
- Slider easy desassembly from the rear.

Adjustment clearances



AUKE 0065
AUKE 0100
AUKE 0200

Keys



AUKE*Aerial cam for pierce and flange***AZOL
GAS** 

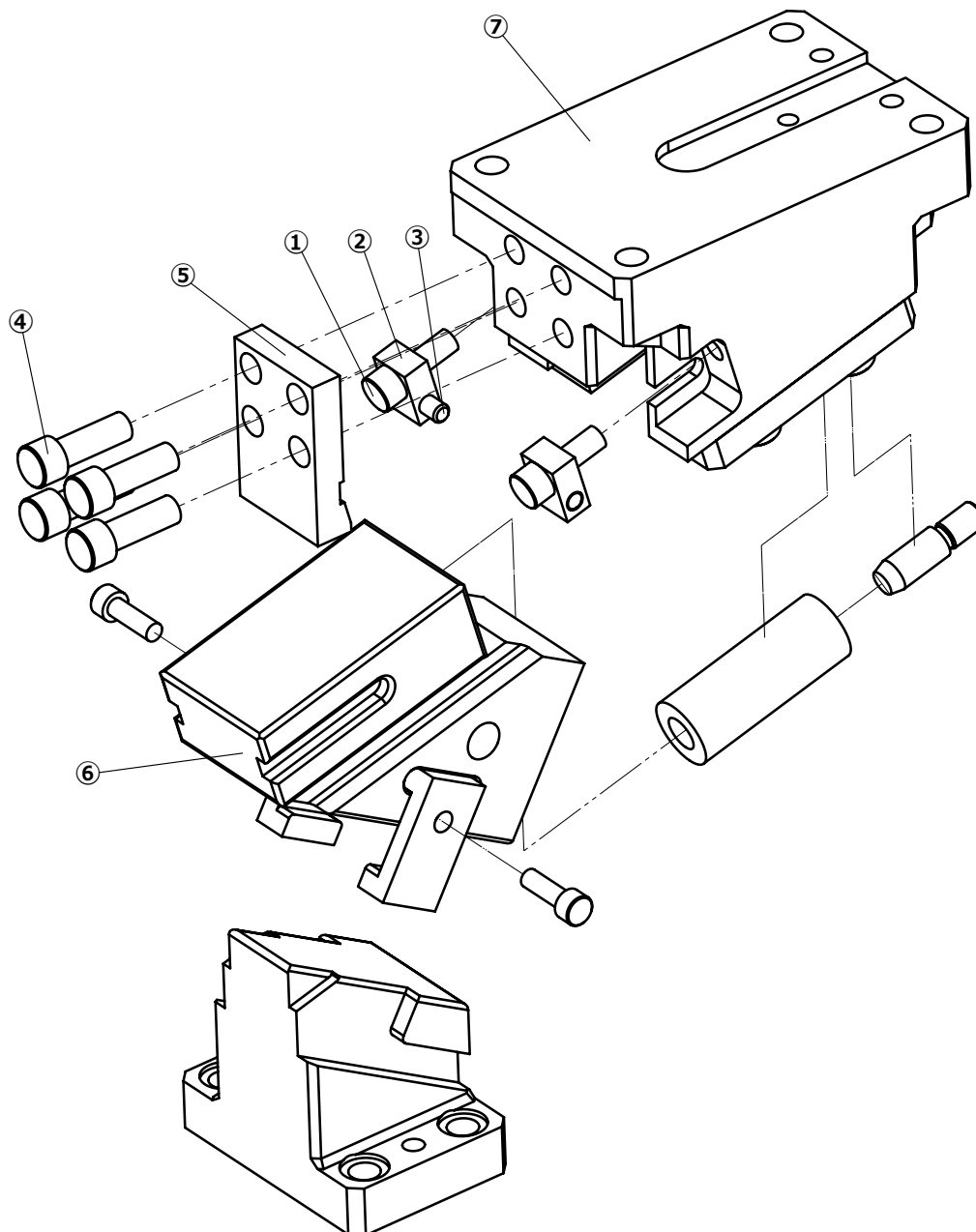
Assembling and disassembling

Disassembling process

- Unscrew ① pieces and remove stopper plates ② and the pin ③.
- Unscrew ④ and remove the plate ⑤.
- Push cam slider ⑥ and remove cam support ⑦.

Assembling process

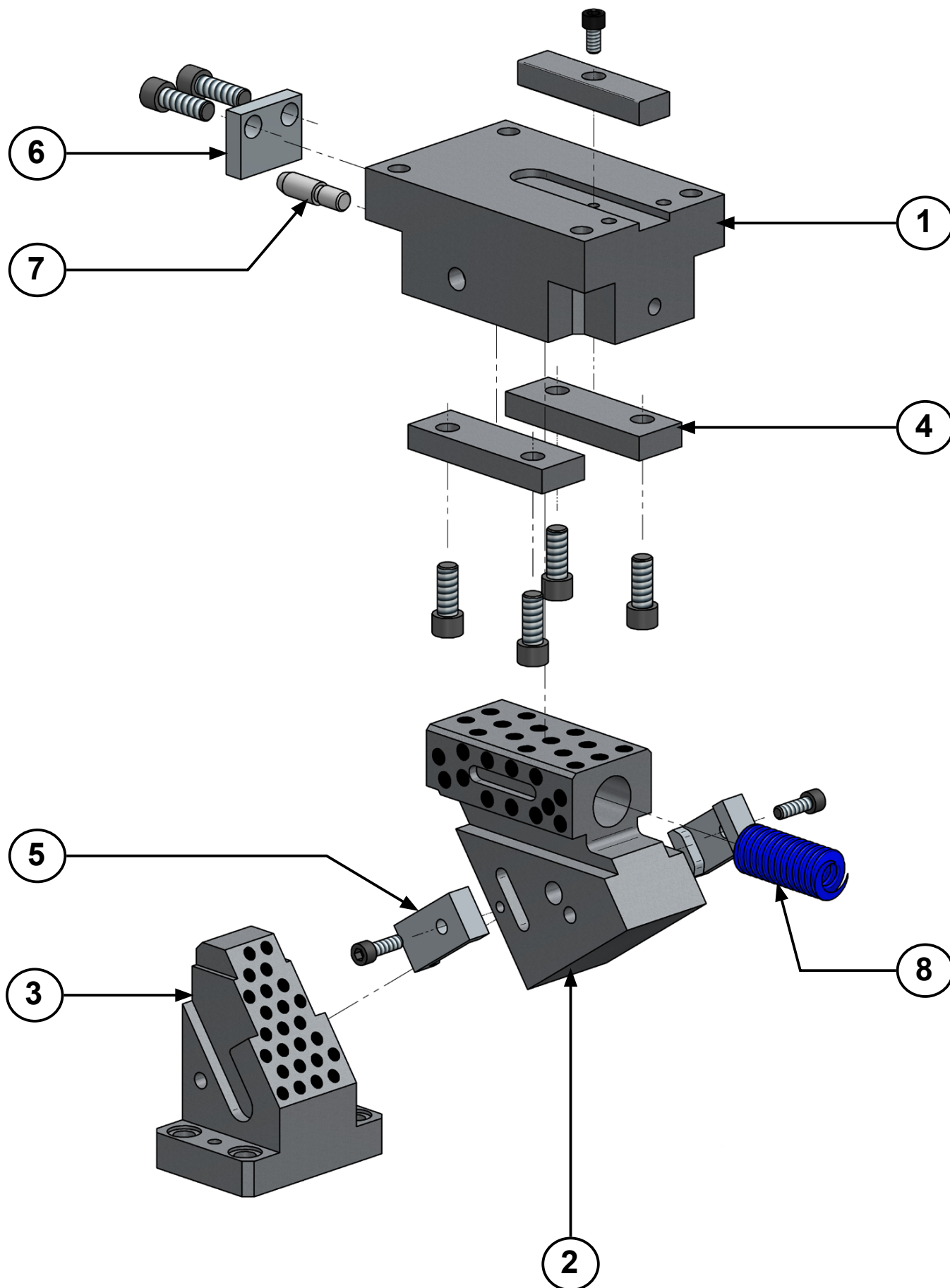
- Make sure that there are no metal shaving or impurities.
- The clearance between the cam holder and slider is controlled.
- Match the serial numbers marked in each part before assembly.
- Make sure that all the screws have been used.





AUKE 0065

Aerial cam for pierce

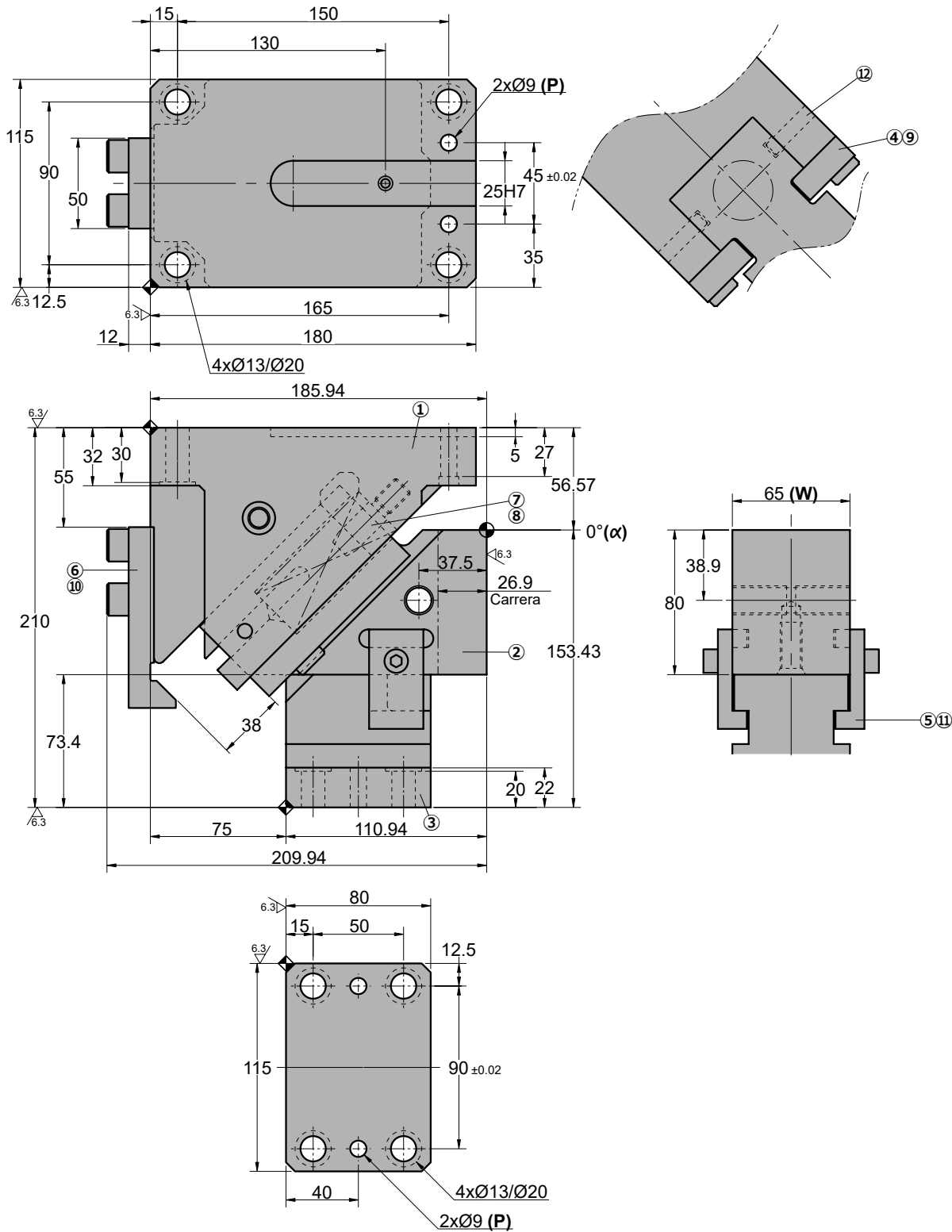


AUKE 0065

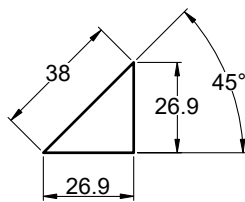
Aerial cam for pierce



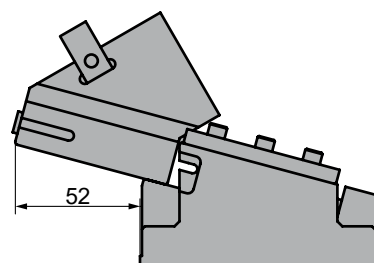
AUKE 0065 00



◦Cam diagram:



◦Disassembling space:





AUKE 0065

Aerial cam for pierce

Stroke (mm)	Working force kN - (tons)		Spring Force N - (kgf)		Weight (Kg)	Model	W (mm)	α (mm)
	(1 Million Strokes)	(300.000 Strokes)	Initial F ₀	Final F ₁				
26.9	19.6 (2.0)	39.2 (4.0)	166.2 (16.9)	1069.2 (109.0)	19.5	AUKE	0065	00



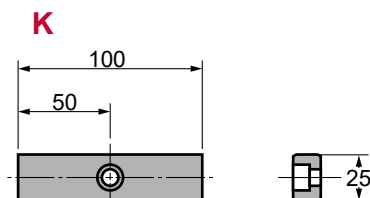
Order: Model (W) (α)
AUKE 0065 00

Standard order example according to catalog sheet. Add options applying options table contents.

OPTIONS

K

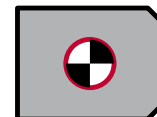
KEY



1 x M8x15

P PINS

Opcional diameters
Ø10H7 - Ø12H7 - Ø13H7



- P13** - Ø13 H7.
- PH13** - Ø13 H7. **only cam holder**
- PD13** - Ø13 H7. **only cam driver**

Order Options: Model (W) (α)-Option



AUKE 0065 00-K
AUKE 0065 00-P13
AUKE 0065 00-P13-K



SPARE PARTS:

⑧ Coil Spring

COMPONENTS

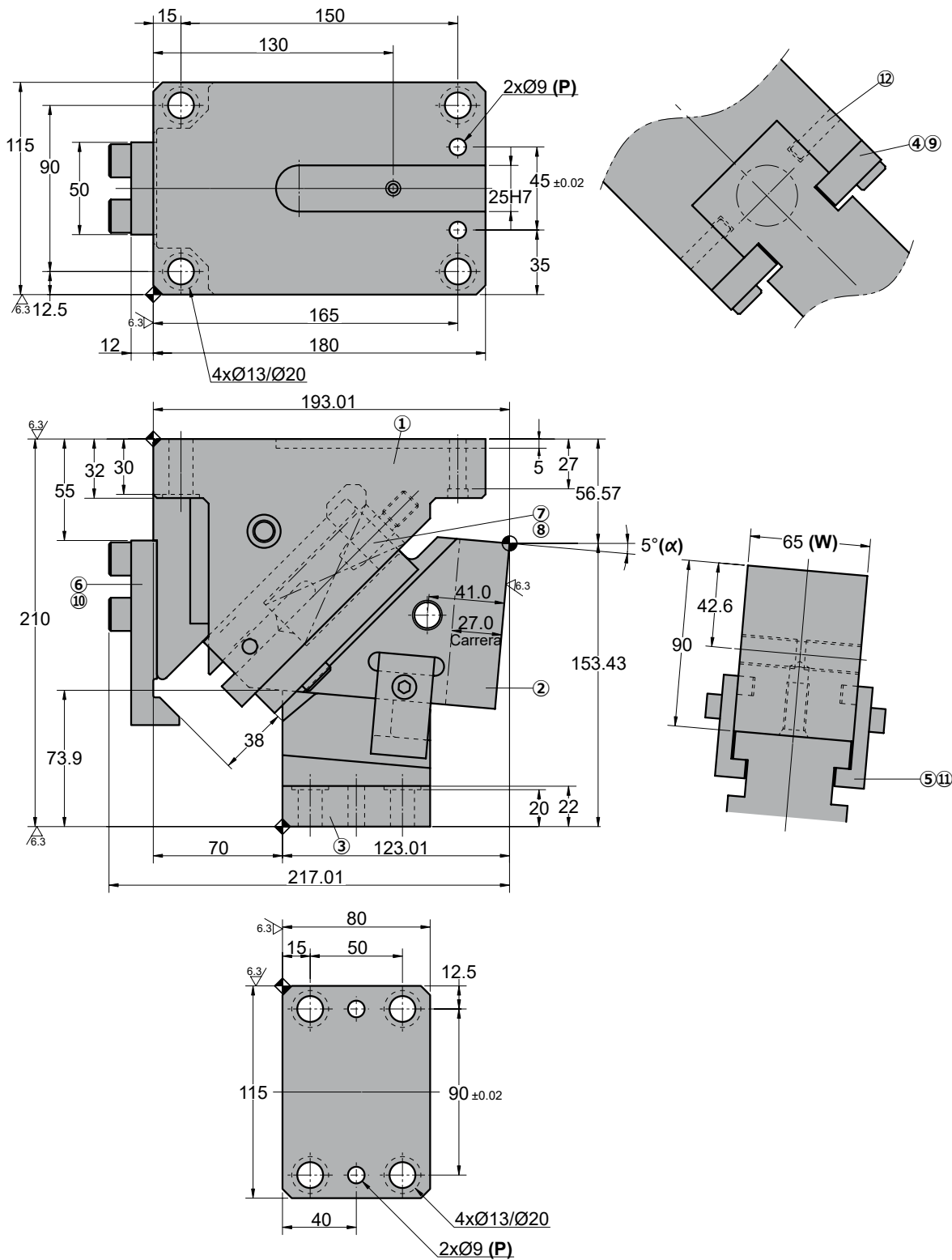
No.	Description	Qty.	Material
①	Cam Holder	1	GG25
②	Cam Slider	1	GGG50 + G
③	Cam Driver	1	GGG50 + G
④	Slider Plate	2	GG25 + G
⑤	Positive Return	2	CK45
⑥	Stopper Plate	1	CK45
⑦	Spring guide	1	CK45
⑧	Coil Spring	1	TL30-125
⑨	Screw	4	M12 x 25
⑩	Screw	4	M12 x 35
⑪	Screw	2	M8 x 25
⑫	Screw	2	M8 x 20

AUKE 0065

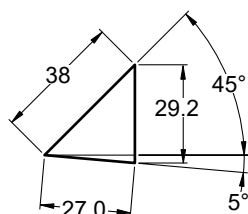
Aerial cam for pierce



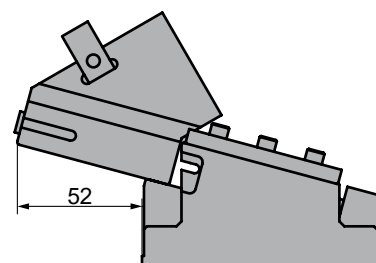
AUKE 0065 05



Cam diagram:



Disassembling space:





AUKE 0065

Aerial cam for pierce

Stroke (mm)	Working force kN - (tons)		Spring Force N - (kgf)		Weight (Kg)	Model	W (mm)	α (mm)
	(1 Million Strokes)	(300.000 Strokes)	Initial F ₀	Final F ₁				
27.0	19.6 (2.0)	39.2 (4.0)	237.4 (24.2)	1140.5 (116.3)	19.8	AUKE	0065	05



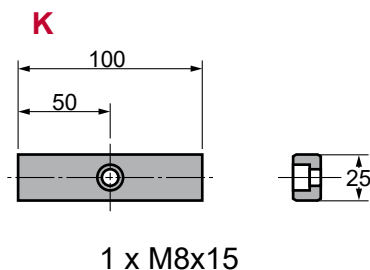
Order: Model (W) (α)
AUKE 0065 05

Standard order example according to catalog sheet. Add options applying options table contents.

OPTIONS

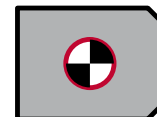
K

KEY



P PINS

Opcional diameters
Ø10H7 - Ø12H7 - Ø13H7



- P13** - Ø13 H7.
- PH13** - Ø13 H7. **only cam holder**
- PD13** - Ø13 H7. **only cam driver**

Order Options: Model (W) (α)-Option



- AUKE 0065 05-K**
- AUKE 0065 05-P13**
- AUKE 0065 05-P13-K**



SPARE PARTS:

- ⑧ Coil Spring

COMPONENTS

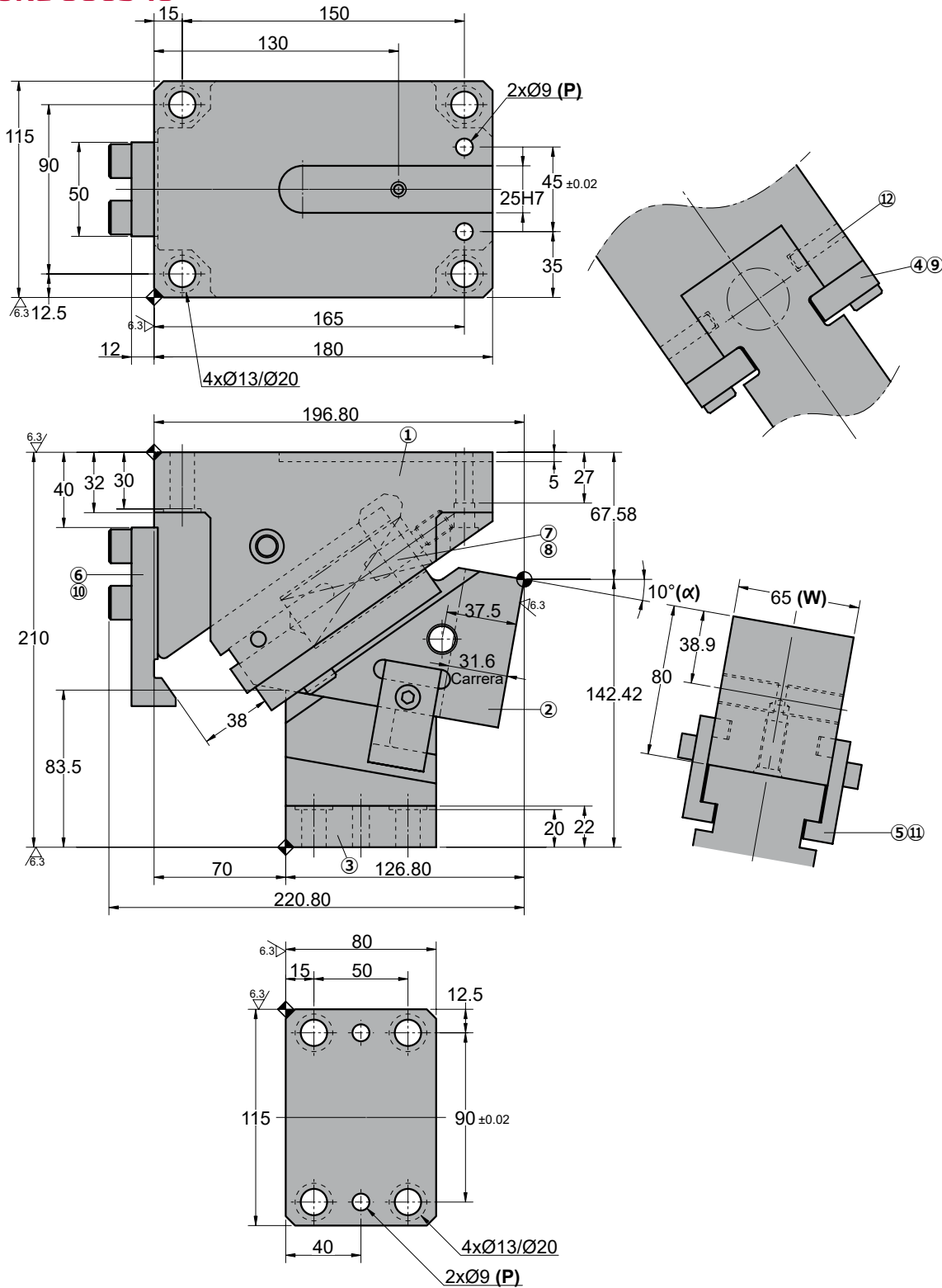
No.	Description	Qty.	Material
①	Cam Holder	1	GG25
②	Cam Slider	1	GGG50 + G
③	Cam Driver	1	GGG50 + G
④	Slider Plate	2	GG25 + G
⑤	Positive Return	2	CK45
⑥	Stopper Plate	1	CK45
⑦	Spring guide	1	CK45
⑧	Coil Spring	1	TL30-125
⑨	Screw	4	M12 x 25
⑩	Screw	4	M12 x 35
⑪	Screw	2	M8 x 25
⑫	Screw	2	M8 x 20

AUKE 0065

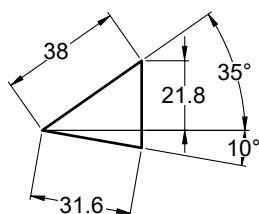
Aerial cam for pierce



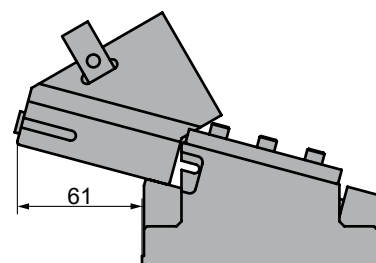
AUKE 0065 10



◦Cam diagram:



◦Disassembling space:





AUKE 0065

Aerial cam for pierce

Stroke (mm)	Working force kN - (tons)		Spring Force N - (kgf)		Weight (Kg)	Model	W (mm)	α (mm)
	(1 Million Strokes)	(300.000 Strokes)	Initial F ₀	Final F ₁				
31.6	19.6 (2.0)	39.2 (4.0)	237.4 (24.2)	1140.5 (116.3)	19.3	AUKE	0065	10



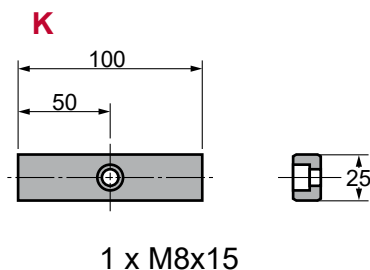
Order: Model (W) (α)
AUKE 0065 10

Standard order example according to catalog sheet. Add options applying options table contents.

OPTIONS

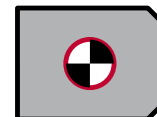
K

KEY



P PINS

Opcional diameters
Ø10H7 - Ø12H7 - Ø13H7



- P13** - Ø13 H7.
- PH13** - Ø13 H7. **only cam holder**
- PD13** - Ø13 H7. **only cam driver**

Order Options: Model (W) (α)-Option



- AUKE 0065 10-K**
- AUKE 0065 10-P13**
- AUKE 0065 10-P13-K**



SPARE PARTS:

- ⑧ Coil Spring

COMPONENTS

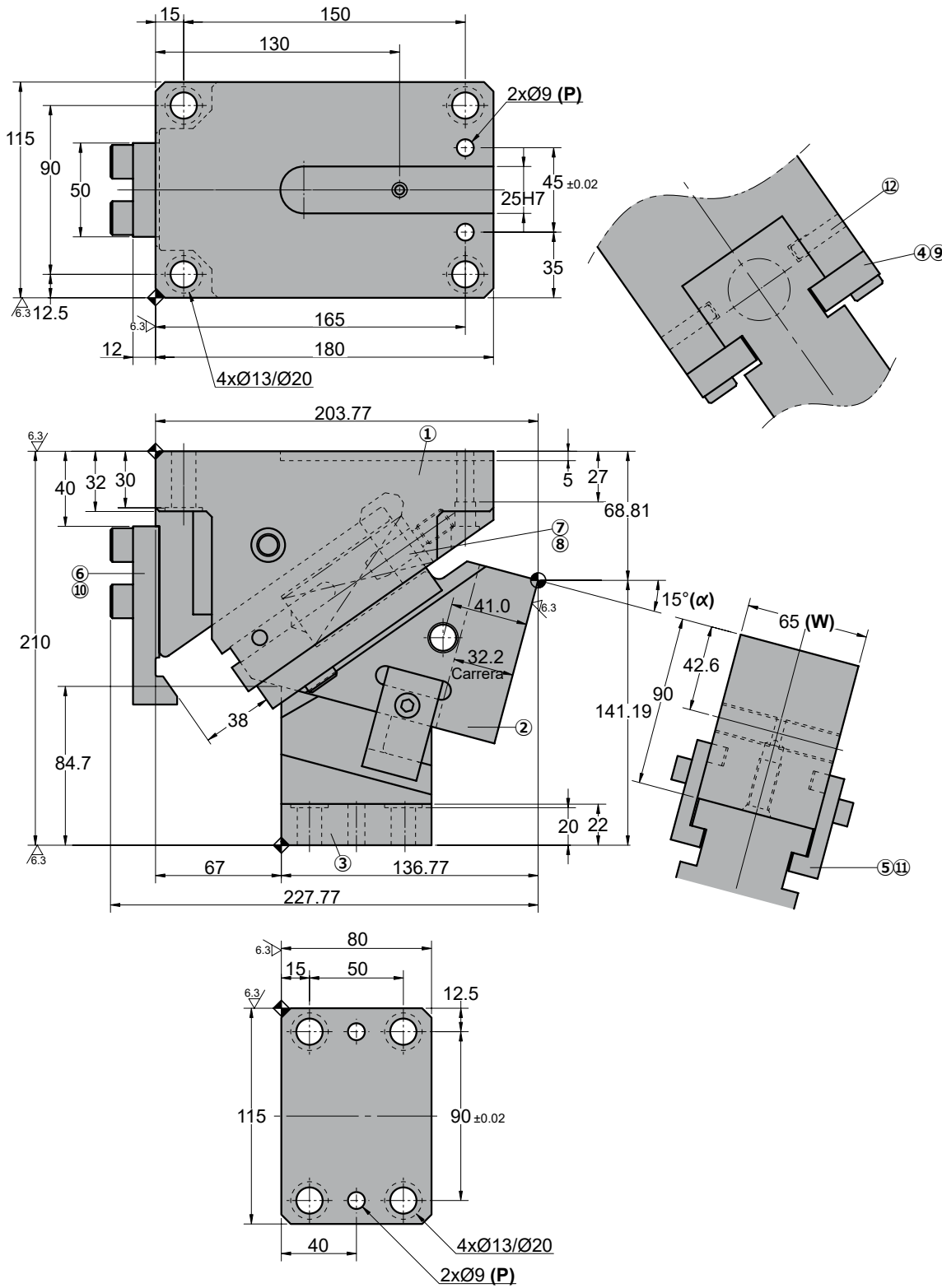
No.	Description	Qty.	Material
①	Cam Holder	1	GG25
②	Cam Slider	1	GGG50 + G
③	Cam Driver	1	GGG50 + G
④	Slider Plate	2	GG25 + G
⑤	Positive Return	2	CK45
⑥	Stopper Plate	1	CK45
⑦	Spring guide	1	CK45
⑧	Coil Spring	1	TL30-125
⑨	Screw	4	M12 x 25
⑩	Screw	4	M12 x 35
⑪	Screw	2	M8 x 25
⑫	Screw	2	M8 x 20

AUKE 0065

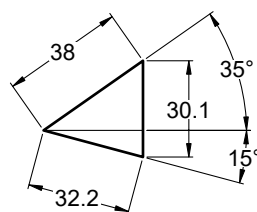
Aerial cam for pierce



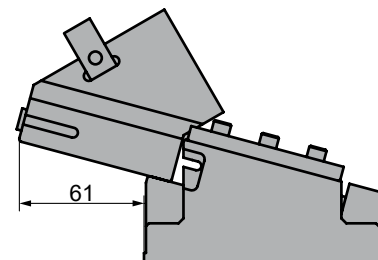
AUKE 0065 15



◦Cam diagram:



◦Disassembling space:





AUKE 0065

Aerial cam for pierce

Stroke (mm)	Working force kN - (tons)		Spring Force N - (kgf)		Weight (Kg)	Model	W (mm)	α (mm)
	(1 Million Strokes)	(300.000 Strokes)	Initial F ₀	Final F ₁				
32.2	19.6 (2.0)	39.2 (4.0)	237.4 (24.2)	1140.5 (116.3)	19.6	AUKE	0065	15



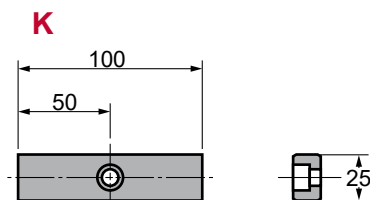
Order: Model (W) (α)
AUKE 0065 15

Standard order example according to catalog sheet. Add options applying options table contents.

OPTIONS

K

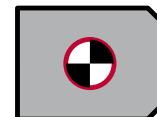
KEY



1 x M8x15

P PINS

Opcional diameters
Ø10H7 - Ø12H7 - Ø13H7



P13 - Ø13 H7.

PH13 - Ø13 H7. **only cam holder**

PD13 - Ø13 H7. **only cam driver**

Order Options: Model (W) (α)-Option



AUKE 0065 15-K

AUKE 0065 15-P13

AUKE 0065 15-P13-K



SPARE PARTS:

⑧ Coil Spring

COMPONENTS

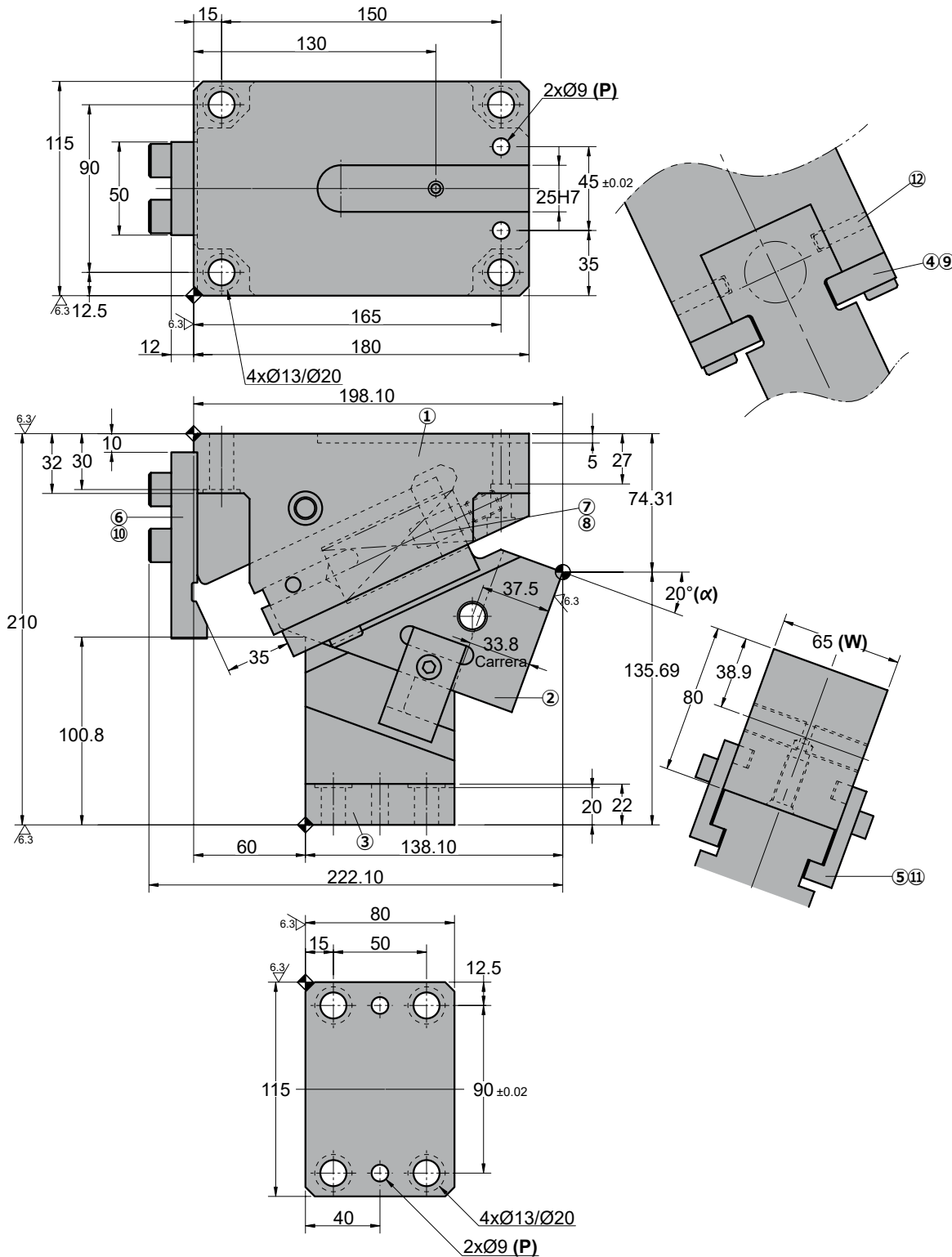
No.	Description	Qty.	Material
①	Cam Holder	1	GG25
②	Cam Slider	1	GGG50 + G
③	Cam Driver	1	GGG50 + G
④	Slider Plate	2	GG25 + G
⑤	Positive Return	2	CK45
⑥	Stopper Plate	1	CK45
⑦	Spring guide	1	CK45
⑧	Coil Spring	1	TL30-125
⑨	Screw	4	M12 x 25
⑩	Screw	4	M12 x 35
⑪	Screw	2	M8 x 25
⑫	Screw	2	M8 x 20

AUKE 0065

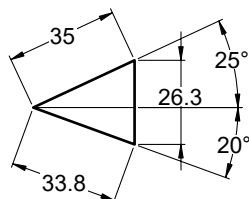
Aerial cam for pierce



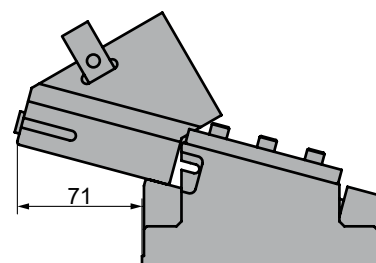
AUKE 0065 20



◦Cam diagram:



◦Disassembling space:





AUKE 0065

Aerial cam for pierce

Stroke (mm)	Working force kN - (tons)		Spring Force N - (kgf)		Weight (Kg)	Model	W (mm)	α (mm)
	(1 Million Strokes)	(300.000 Strokes)	Initial F ₀	Final F ₁				
33.8	19.6 (2.0)	39.2 (4.0)	308.6 (31.5)	1140.5 (116.3)	18.1	AUKE	0065	20



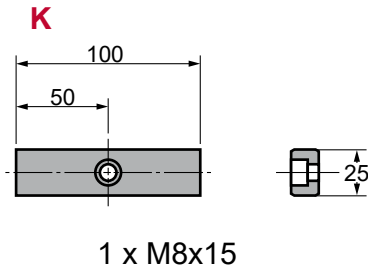
Order: Model (W) (α)
AUKE 0065 20

Standard order example according to catalog sheet. Add options applying options table contents.

OPTIONS

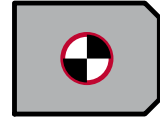
K

KEY



P PINS

Opcional diameters
Ø10H7 - Ø12H7 - Ø13H7



- P13** - Ø13 H7.
- PH13** - Ø13 H7. **only cam holder**
- PD13** - Ø13 H7. **only cam driver**

Order Options: Model (W) (α)-Option



- AUKE 0065 20-K**
- AUKE 0065 20-P13**
- AUKE 0065 20-P13-K**



SPARE PARTS:

- ⑧ Coil Spring

COMPONENTS

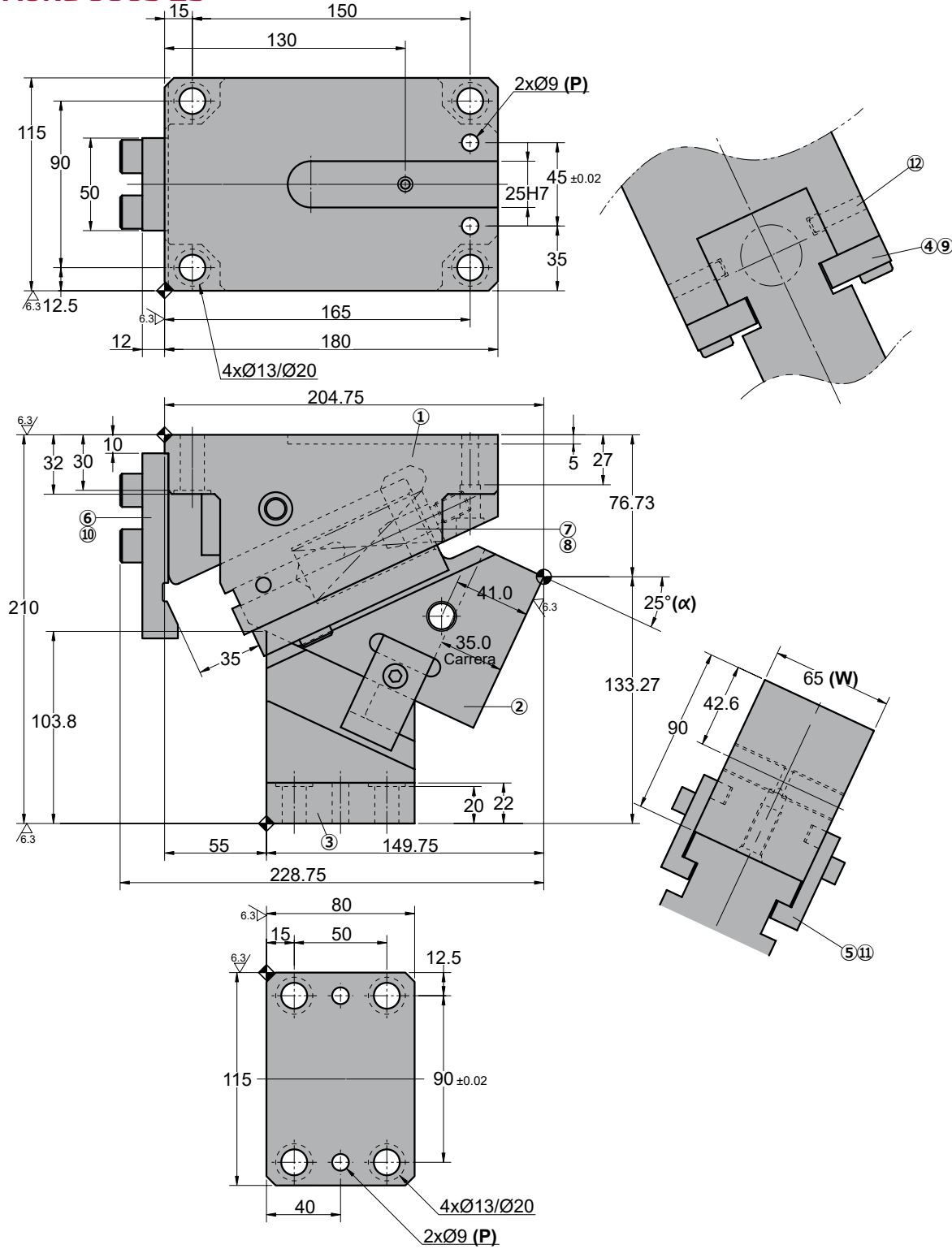
No.	Description	Qty.	Material
①	Cam Holder	1	GG25
②	Cam Slider	1	GGG50 + G
③	Cam Driver	1	GGG50 + G
④	Slider Plate	2	GG25 + G
⑤	Positive Return	2	CK45
⑥	Stopper Plate	1	CK45
⑦	Spring guide	1	CK45
⑧	Coil Spring	1	TL30-125
⑨	Screw	4	M12 x 25
⑩	Screw	4	M12 x 35
⑪	Screw	2	M8 x 25
⑫	Screw	2	M8 x 20

AUKE 0065

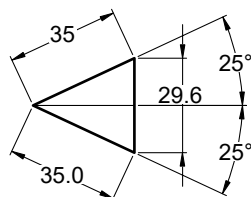
Aerial cam for pierce



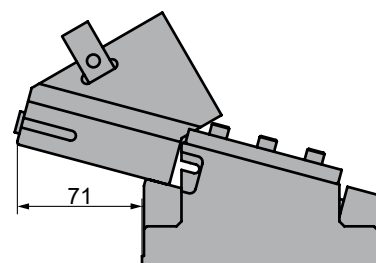
AUKE 0065 25



Cam diagram:



Disassembling space:





AUKE 0065

Aerial cam for pierce

Stroke (mm)	Working force kN - (tons)		Spring Force N - (kgf)		Weight (Kg)	Model	W (mm)	α (mm)
	(1 Million Strokes)	(300.000 Strokes)	Initial F ₀	Final F ₁				
35.0	19.6 (2.0)	39.2 (4.0)	308.6 (31.5)	1140.5 (116.3)	18.4	AUKE	0065	25



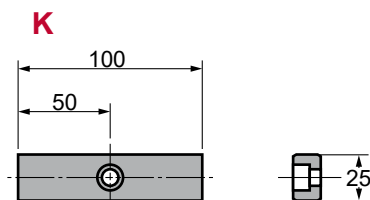
Order: Model (W) (α)
AUKE 0065 25

Standard order example according to catalog sheet. Add options applying options table contents.

OPTIONS

K

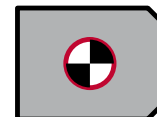
KEY



1 x M8x15

P PINS

Opcional diameters
Ø10H7 - Ø12H7 - Ø13H7



- P13** - Ø13 H7.
- PH13** - Ø13 H7. **only cam holder**
- PD13** - Ø13 H7. **only cam driver**

Order Options: Model (W) (α)-Option



- AUKE 0065 25-K**
- AUKE 0065 25-P13**
- AUKE 0065 25-P13-K**



SPARE PARTS:

- ⑧ Coil Spring

COMPONENTS

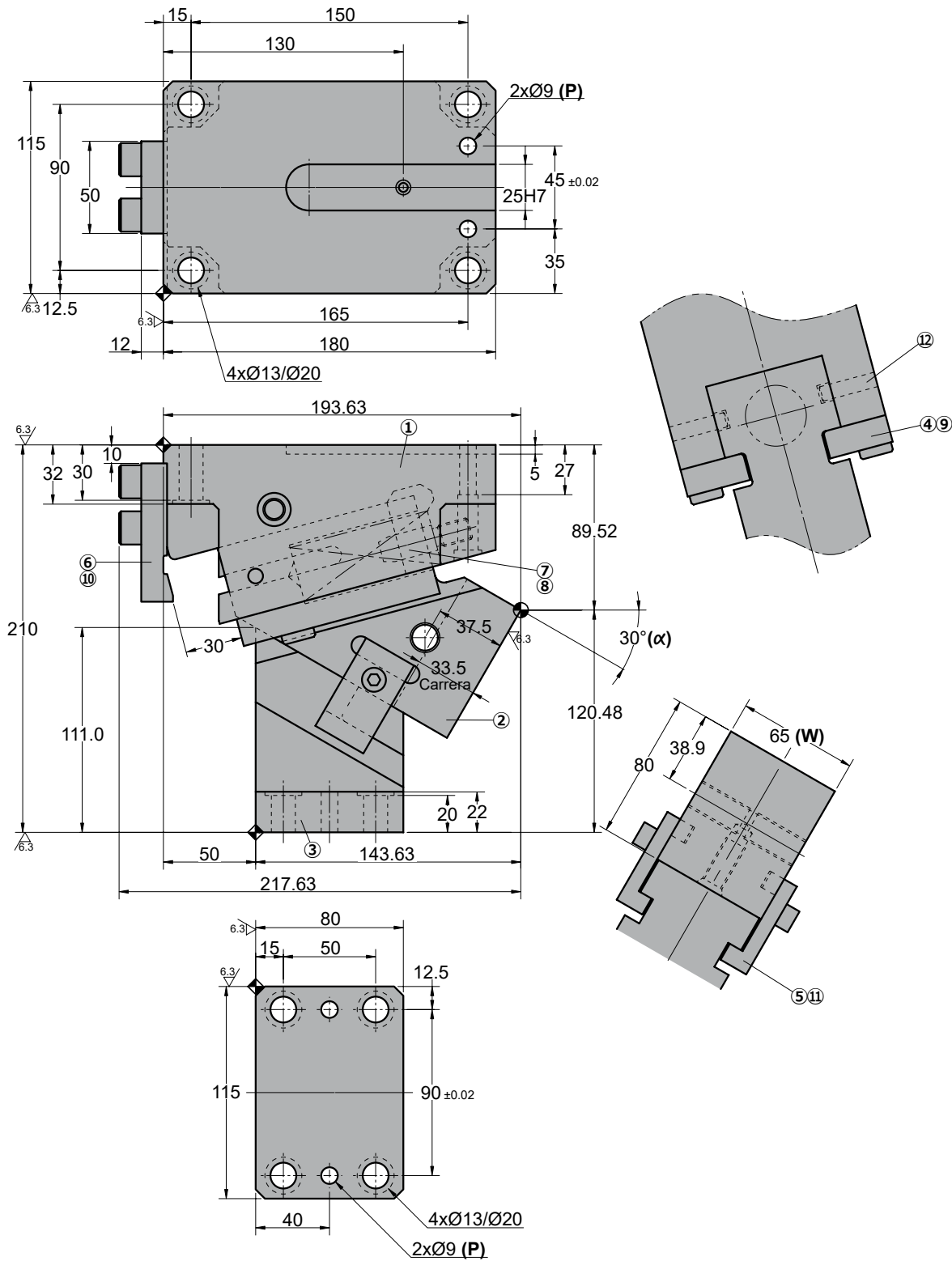
No.	Description	Qty.	Material
①	Cam Holder	1	GG25
②	Cam Slider	1	GGG50 + G
③	Cam Driver	1	GGG50 + G
④	Slider Plate	2	GG25 + G
⑤	Positive Return	2	CK45
⑥	Stopper Plate	1	CK45
⑦	Spring guide	1	CK45
⑧	Coil Spring	1	TL30-125
⑨	Screw	4	M12 x 25
⑩	Screw	4	M12 x 35
⑪	Screw	2	M8 x 25
⑫	Screw	2	M8 x 20

AUKE 0065

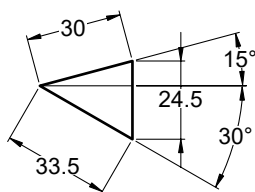
Aerial cam for pierce



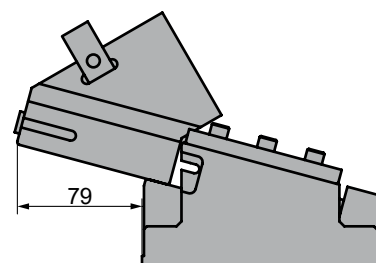
AUKE 0065 30



◦Cam diagram:



◦Disassembling space:





AUKE 0065

Aerial cam for pierce

Stroke (mm)	Working force kN - (tons)		Spring Force N - (kgf)		Weight (Kg)	Model	W (mm)	α (mm)
	(1 Million Strokes)	(300.000 Strokes)	Initial F ₀	Final F ₁				
33.5	23.5 (2.4)	47.0 (4.8)	427.7 (43.6)	1140.5 (116.3)	17.7	AUKE	0065	30



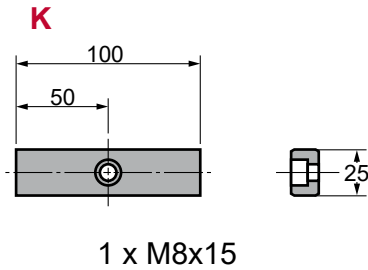
Order: Model (W) (α)
AUKE 0065 30

Standard order example according to catalog sheet. Add options applying options table contents.

OPTIONS

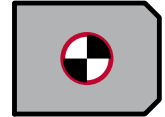
K

KEY



P PINS

Opcional diameters
Ø10H7 - Ø12H7 - Ø13H7



P13 - Ø13 H7.

PH13 - Ø13 H7. only cam holder

PD13 - Ø13 H7. only cam driver

Order Options: Model (W) (α)-Option



AUKE 0065 30-K

AUKE 0065 30-P13

AUKE 0065 30-P13-K



SPARE PARTS:

⑧ Coil Spring

COMPONENTS

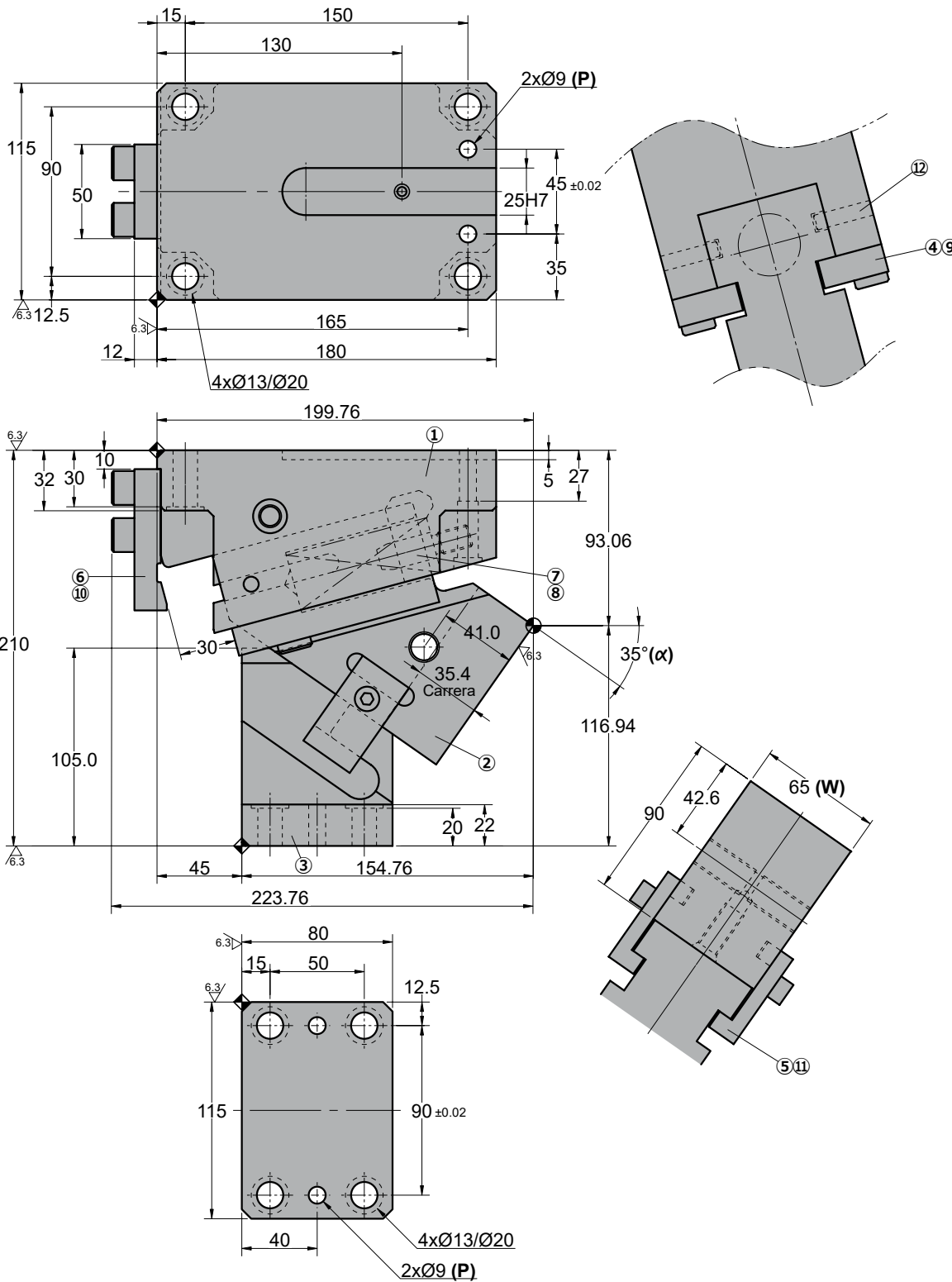
No.	Description	Qty.	Material
①	Cam Holder	1	GG25
②	Cam Slider	1	GGG50 + G
③	Cam Driver	1	GGG50 + G
④	Slider Plate	2	GG25 + G
⑤	Positive Return	2	CK45
⑥	Stopper Plate	1	CK45
⑦	Spring guide	1	CK45
⑧	Coil Spring	1	TL30-125
⑨	Screw	4	M12 x 25
⑩	Screw	4	M12 x 35
⑪	Screw	2	M8 x 25
⑫	Screw	2	M8 x 20

AUKE 0065

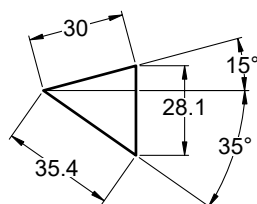
Aerial cam for pierce



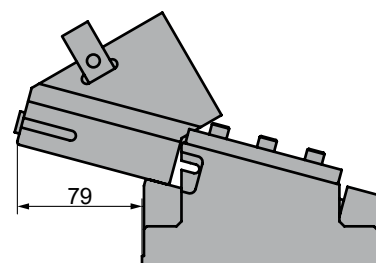
AUKE 0065 35



◦Cam diagram:



◦Disassembling space:





AUKE 0065

Aerial cam for pierce

Stroke (mm)	Working force kN - (tons)		Spring Force N - (kgf)		Weight (Kg)	Model	W (mm)	α (mm)
	(1 Million Strokes)	(300.000 Strokes)	Initial F ₀	Final F ₁				
35.4	23.5 (2.4)	47.0 (4.8)	427.7 (43.6)	1140.5 (116.3)	18.0	AUKE	0065	35



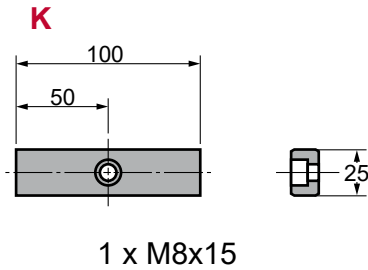
Order: Model (W) (α)
AUKE 0065 35

Standard order example according to catalog sheet. Add options applying options table contents.

OPTIONS

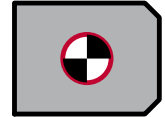
K

KEY



P PINS

Opcional diameters
Ø10H7 - Ø12H7 - Ø13H7



P13 - Ø13 H7.

PH13 - Ø13 H7. **only cam holder**

PD13 - Ø13 H7. **only cam driver**

Order Options: Model (W) (α)-Option



AUKE 0065 35-K

AUKE 0065 35-P13

AUKE 0065 35-P13-K



SPARE PARTS:

⑧ Coil Spring

COMPONENTS

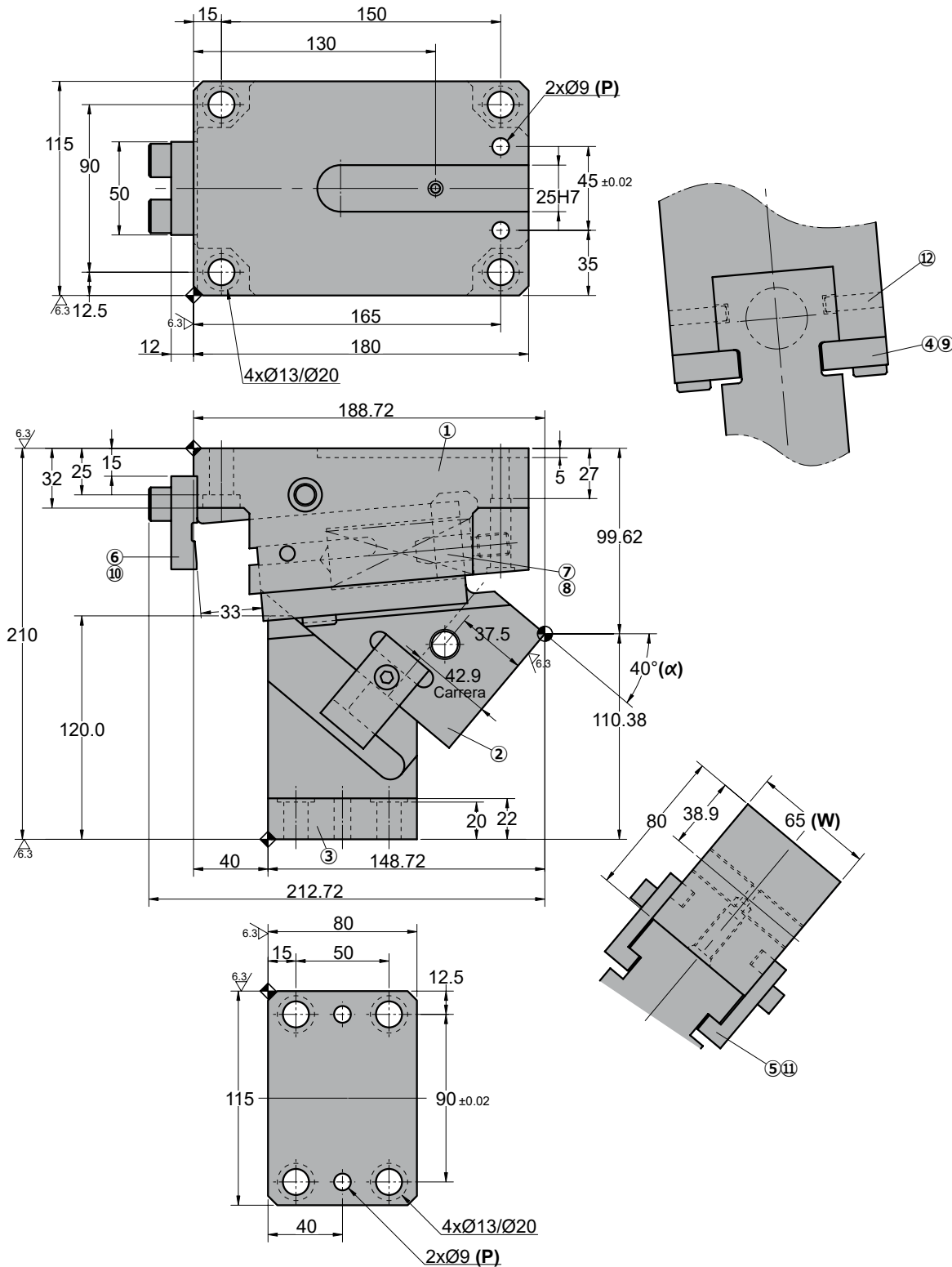
No.	Description	Qty.	Material
①	Cam Holder	1	GG25
②	Cam Slider	1	GGG50 + G
③	Cam Driver	1	GGG50 + G
④	Slider Plate	2	GG25 + G
⑤	Positive Return	2	CK45
⑥	Stopper Plate	1	CK45
⑦	Spring guide	1	CK45
⑧	Coil Spring	1	TL30-125
⑨	Screw	4	M12 x 25
⑩	Screw	4	M12 x 35
⑪	Screw	2	M8 x 25
⑫	Screw	2	M8 x 20

AUKE 0065

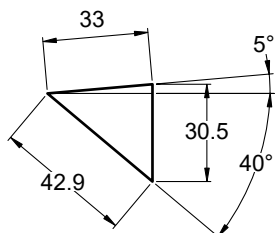
Aerial cam for pierce



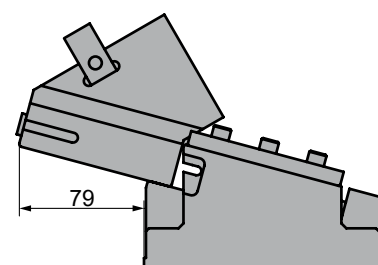
AUKE 0065 40



◦Cam diagram:



◦Disassembling space:





AUKE 0065

Aerial cam for pierce

Stroke (mm)	Working force kN - (tons)		Spring Force N - (kgf)		Weight (Kg)	Model	W (mm)	α (mm)
	(1 Million Strokes)	(300.000 Strokes)	Initial F ₀	Final F ₁				
42.9	23.5 (2.4)	47.0 (4.8)	356.1 (36.3)	1140.5 (116.3)	16.9	AUKE	0065	40



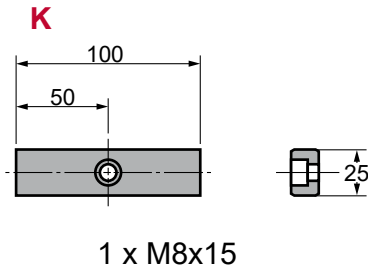
Order: Model (W) (α)
AUKE 0065 40

Standard order example according to catalog sheet. Add options applying options table contents.

OPTIONS

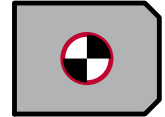
K

KEY



P PINS

Opcional diameters
Ø10H7 - Ø12H7 - Ø13H7



- P13** - Ø13 H7.
- PH13** - Ø13 H7. **only cam holder**
- PD13** - Ø13 H7. **only cam driver**

Order Options: Model (W) (α)-Option



- AUKE 0065 40-K**
- AUKE 0065 40-P13**
- AUKE 0065 40-P13-K**



SPARE PARTS:

- ⑧ Coil Spring

COMPONENTS

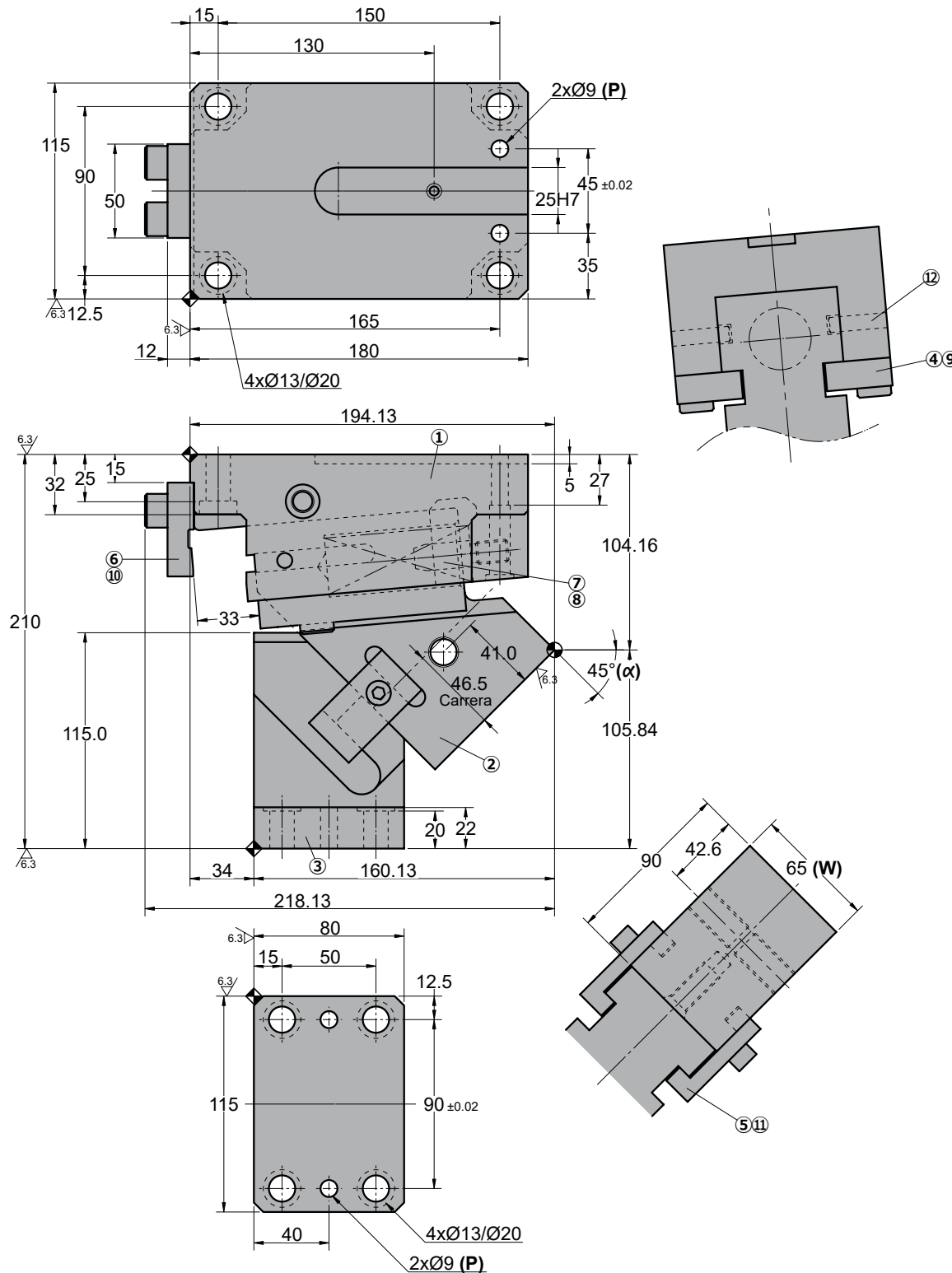
No.	Description	Qty.	Material
①	Cam Holder	1	GG25
②	Cam Slider	1	GGG50 + G
③	Cam Driver	1	GGG50 + G
④	Slider Plate	2	GG25 + G
⑤	Positive Return	2	CK45
⑥	Stopper Plate	1	CK45
⑦	Spring guide	1	CK45
⑧	Coil Spring	1	TL30-125
⑨	Screw	4	M12 x 25
⑩	Screw	2	M12 x 35
⑪	Screw	2	M8 x 25
⑫	Screw	2	M8 x 20

AUKE 0065

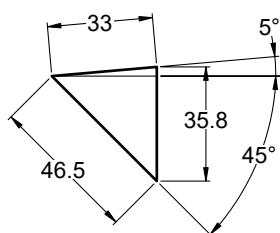
Aerial cam for pierce



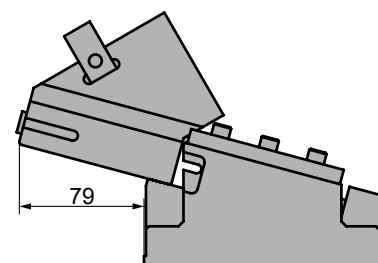
AUKE 0065 45



◦Cam diagram:



◦Disassembling space:





AUKE 0065

Aerial cam for pierce

Stroke (mm)	Working force kN - (tons)		Spring Force N - (kgf)		Weight (Kg)	Model	W (mm)	α (mm)
	(1 Million Strokes)	(300.000 Strokes)	Initial F ₀	Final F ₁				
46.5	23.5 (2.4)	47.0 (4.8)	356.1 (36.3)	1140.5 (116.3)	17.1	AUKE	0065	45



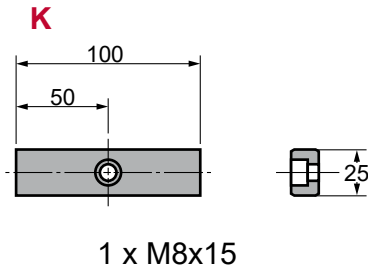
Order: Model (W) (α)
AUKE 0065 45

Standard order example according to catalog sheet. Add options applying options table contents.

OPTIONS

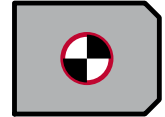
K

KEY



P PINS

Opcional diameters
Ø10H7 - Ø12H7 - Ø13H7



P13 - Ø13 H7.

PH13 - Ø13 H7. **only cam holder**

PD13 - Ø13 H7. **only cam driver**

Order Options: Model (W) (α)-Option



AUKE 0065 45-K

AUKE 0065 45-P13

AUKE 0065 45-P13-K



SPARE PARTS:

⑧ Coil Spring

COMPONENTS

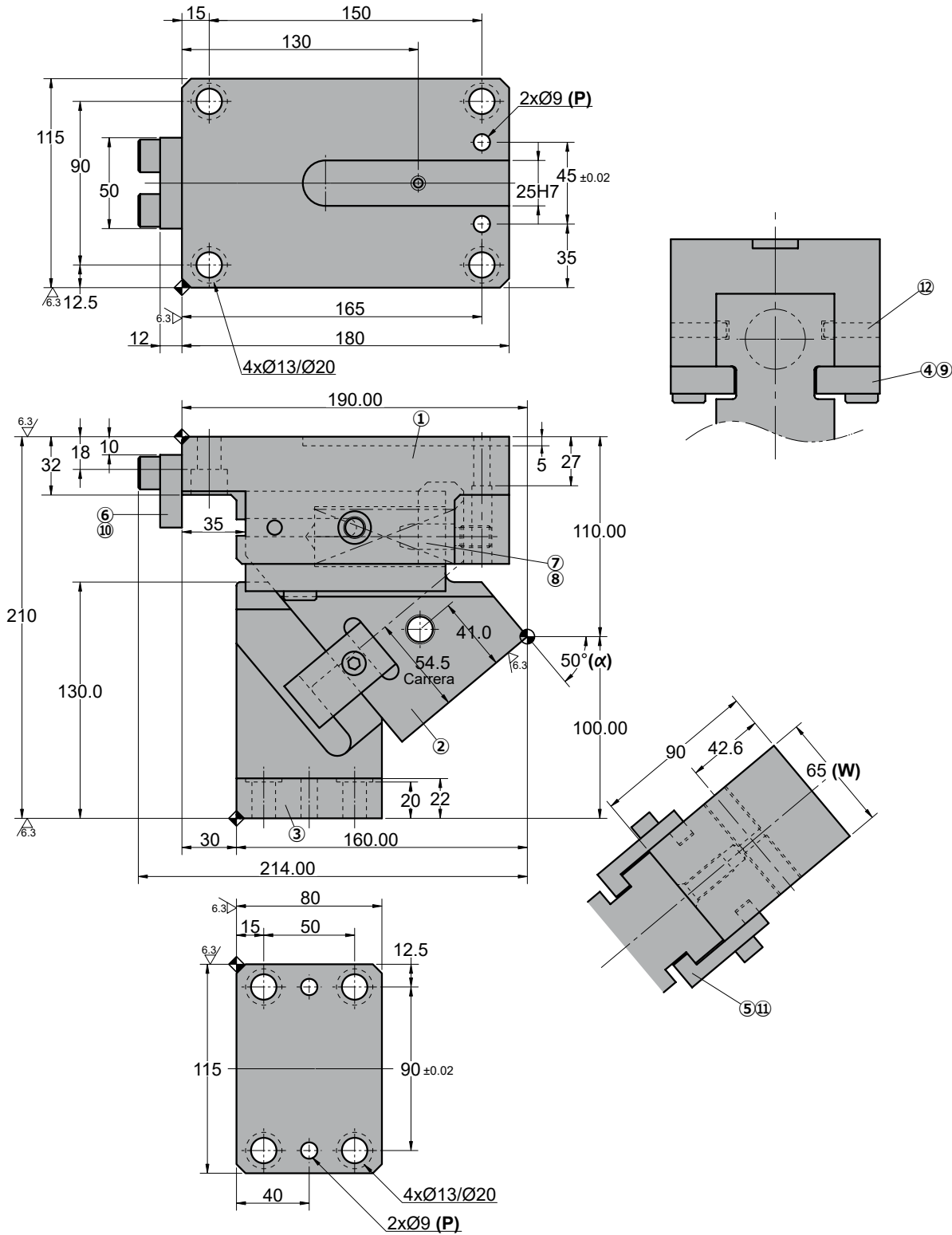
No.	Description	Qty.	Material
①	Cam Holder	1	GG25
②	Cam Slider	1	GGG50 + G
③	Cam Driver	1	GGG50 + G
④	Slider Plate	2	GG25 + G
⑤	Positive Return	2	CK45
⑥	Stopper Plate	1	CK45
⑦	Spring guide	1	CK45
⑧	Coil Spring	1	TL30-125
⑨	Screw	4	M12 x 25
⑩	Screw	2	M12 x 35
⑪	Screw	2	M8 x 25
⑫	Screw	2	M8 x 20

AUKE 0065

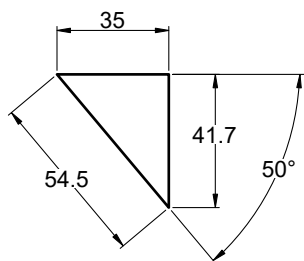
Aerial cam for pierce



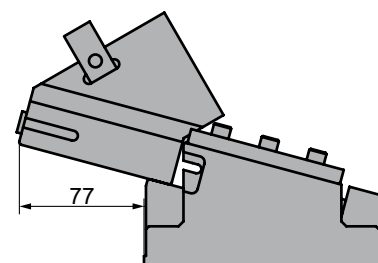
AUKE 0065 50



◦Cam diagram:



◦Disassembling space:





AUKE 0065

Aerial cam for pierce

Stroke (mm)	Working force kN - (tons)		Spring Force N - (kgf)		Weight (Kg)	Model	W (mm)	α (mm)
	(1 Million Strokes)	(300.000 Strokes)	Initial F ₀	Final F ₁				
54.5	29.4 (3.0)	58.8 (6.0)	308.6 (31.5)	1140.5 (116.3)	16.8	AUKE	0065	50



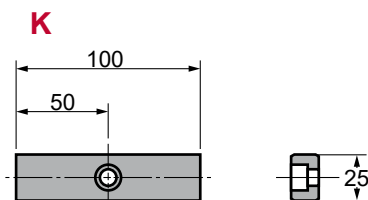
Order: Model (W) (α)
AUKE 0065 50

Standard order example according to catalog sheet. Add options applying options table contents.

OPTIONS

K

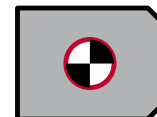
KEY



1 x M8x15

P PINS

Opcional diameters
Ø10H7 - Ø12H7 - Ø13H7



- P13** - Ø13 H7.
- PH13** - Ø13 H7. **only cam holder**
- PD13** - Ø13 H7. **only cam driver**

Order Options: Model (W) (α)-Option



- AUKE 0065 50-K**
- AUKE 0065 50-P13**
- AUKE 0065 50-P13-K**



SPARE PARTS:

- ⑧ Coil Spring

COMPONENTS

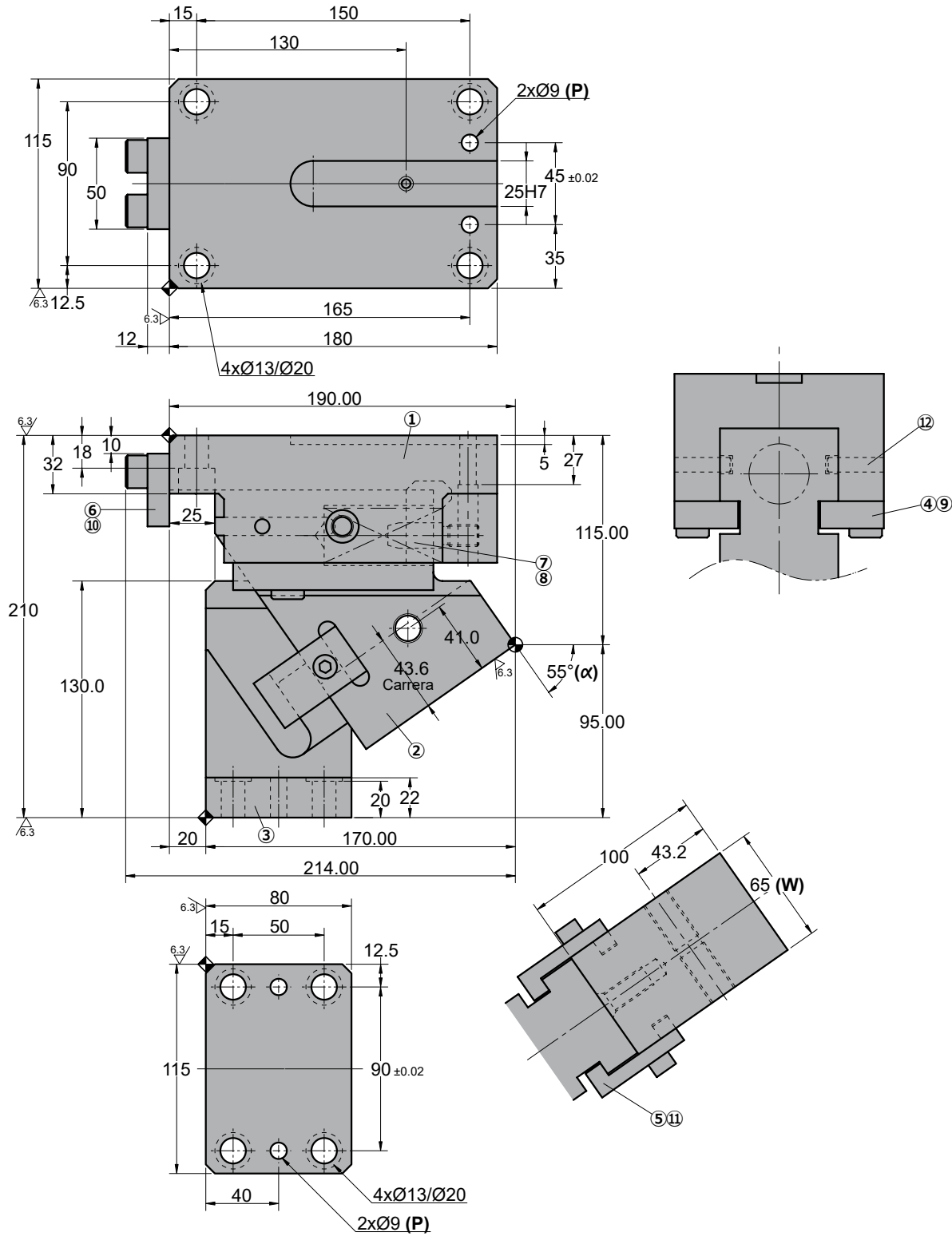
No.	Description	Qty.	Material
①	Cam Holder	1	GG25
②	Cam Slider	1	GGG50 + G
③	Cam Driver	1	GGG50 + G
④	Slider Plate	2	GG25 + G
⑤	Positive Return	2	CK45
⑥	Stopper Plate	1	CK45
⑦	Spring guide	1	CK45
⑧	Coil Spring	1	TL30-125
⑨	Screw	4	M12 x 25
⑩	Screw	2	M12 x 35
⑪	Screw	2	M8 x 25
⑫	Screw	2	M8 x 20

AUKE 0065

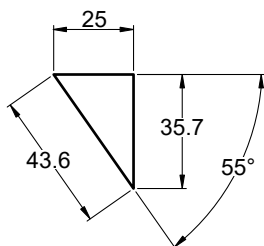
Aerial cam for pierce



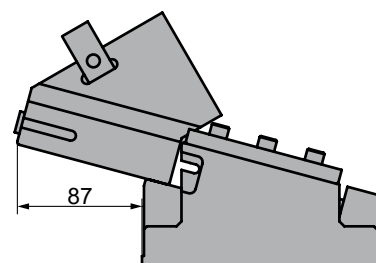
AUKE 0065 55



◦Cam diagram:



◦Disassembling space:





AUKE 0065

Aerial cam for pierce

Stroke (mm)	Working force kN - (tons)		Spring Force N - (kgf)		Weight (Kg)	Model	W (mm)	α (mm)
	(1 Million Strokes)	(300.000 Strokes)	Initial F ₀	Final F ₁				
43.6	29.4 (3.0)	58.8 (6.0)	296.3 (30.2)	1039.2 (106.0)	17.8	AUKE	0065	55



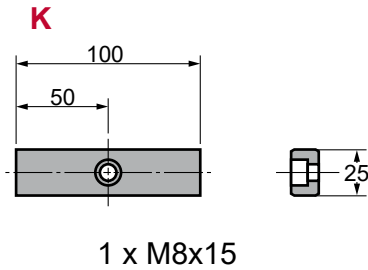
Order: Model (W) (α)
AUKE 0065 55

Standard order example according to catalog sheet.
 Add options applying options table contents.

OPTIONS

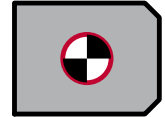
K

KEY



P PINS

Opcional diameters
Ø10H7 - Ø12H7 - Ø13H7



- P13** - Ø13 H7.
- PH13** - Ø13 H7. only cam holder
- PD13** - Ø13 H7. only cam driver

Order Options: Model (W) (α)-Option



- AUKE 0065 55-K**
- AUKE 0065 55-P13**
- AUKE 0065 55-P13-K**



SPARE PARTS:

- ⑧ Coil Spring

COMPONENTS

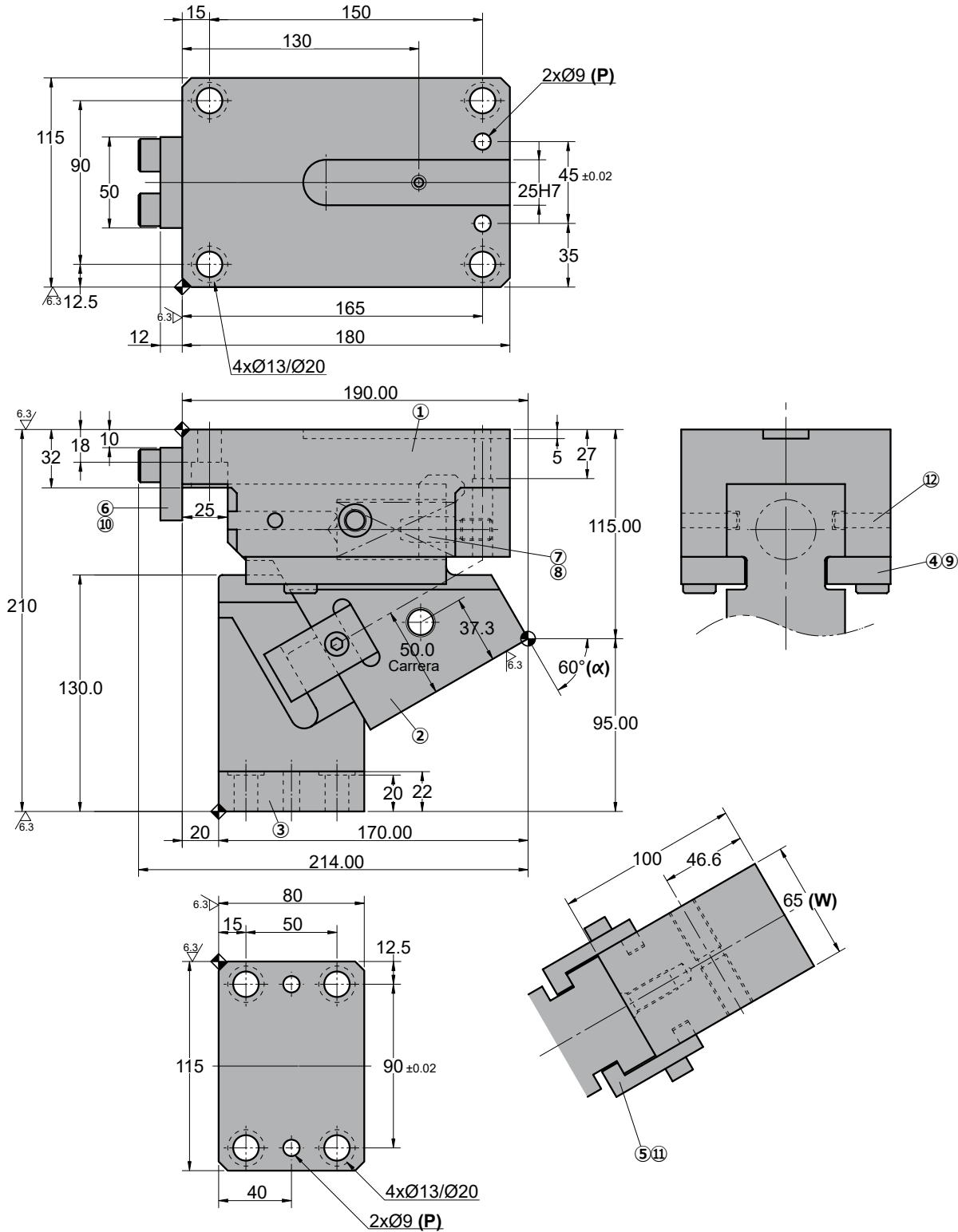
No.	Description	Qty.	Material
①	Cam Holder	1	GG25
②	Cam Slider	1	GGG50 + G
③	Cam Driver	1	GGG50 + G
④	Slider Plate	2	GG25 + G
⑤	Positive Return	2	CK45
⑥	Stopper Plate	1	CK45
⑦	Spring guide	1	CK45
⑧	Coil Spring	1	TL30-100
⑨	Screw	4	M12 x 25
⑩	Screw	2	M12 x 35
⑪	Screw	2	M8 x 25
⑫	Screw	2	M8 x 20

AUKE 0065

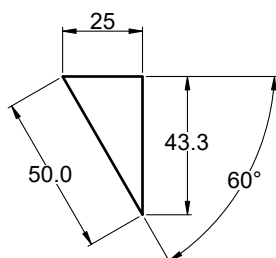
Aerial cam for pierce



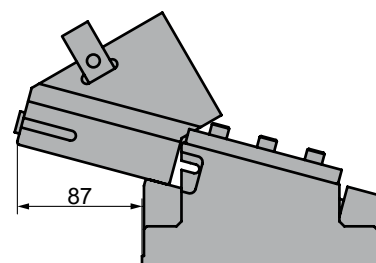
AUKE 0065 60



Cam diagram:



Disassembling space:





AUKE 0065

Aerial cam for pierce

Stroke (mm)	Working force kN - (tons)		Spring Force N - (kgf)		Weight (Kg)	Model	W (mm)	α (mm)
	(1 Million Strokes)	(300.000 Strokes)	Initial F ₀	Final F ₁				
50.0	29.4 (3.0)	58.8 (6.0)	296.3 (30.2)	1039.2 (106.0)	17.3	AUKE	0065	60



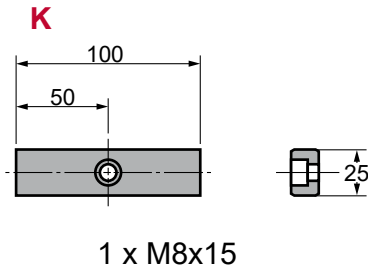
Order: Model (W) (α)
AUKE 0065 60

Standard order example according to catalog sheet.
 Add options applying options table contents.

OPTIONS

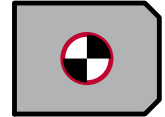
K

KEY



P PINS

Opcional diameters
Ø10H7 - Ø12H7 - Ø13H7



- P13** - Ø13 H7.
- PH13** - Ø13 H7. **only cam holder**
- PD13** - Ø13 H7. **only cam driver**

Order Options: Model (W) (α)-Option



- AUKE 0065 60-K**
- AUKE 0065 60-P13**
- AUKE 0065 60-P13-K**



SPARE PARTS:

- ⑧ Coil Spring

COMPONENTS

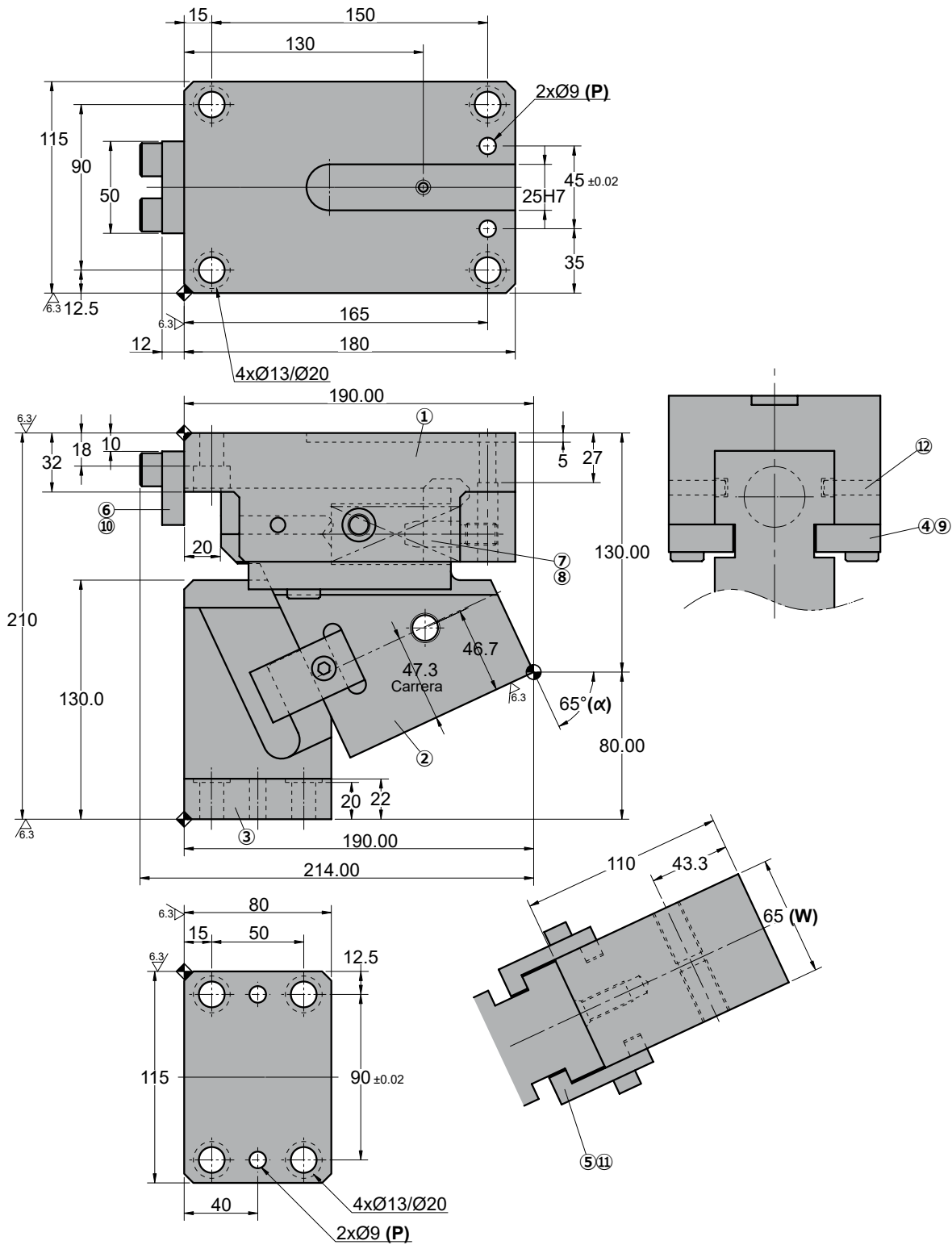
No.	Description	Qty.	Material
①	Cam Holder	1	GG25
②	Cam Slider	1	GGG50 + G
③	Cam Driver	1	GGG50 + G
④	Slider Plate	2	GG25 + G
⑤	Positive Return	2	CK45
⑥	Stopper Plate	1	CK45
⑦	Spring guide	1	CK45
⑧	Coil Spring	1	TL30-100
⑨	Screw	4	M12 x 25
⑩	Screw	2	M12 x 35
⑪	Screw	2	M8 x 25
⑫	Screw	2	M8 x 20

AUKE 0065

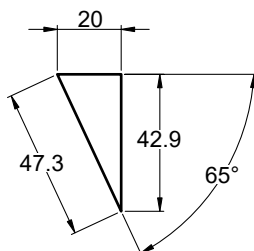
Aerial cam for pierce



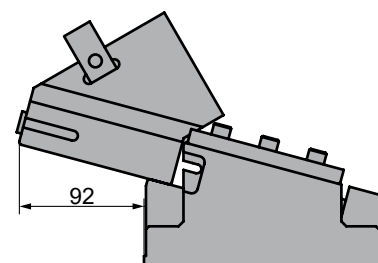
AUKE 0065 65



◦Cam diagram:



◦Disassembling space:





AUKE 0065

Aerial cam for pierce

Stroke (mm)	Working force kN - (tons)		Spring Force N - (kgf)		Weight (Kg)	Model	W (mm)	α (mm)
	(1 Million Strokes)	(300.000 Strokes)	Initial F ₀	Final F ₁				
47.3	29.4 (3.0)	58.8 (6.0)	296.3 (30.2)	890.7 (90.8)	18.5	AUKE	0065	65



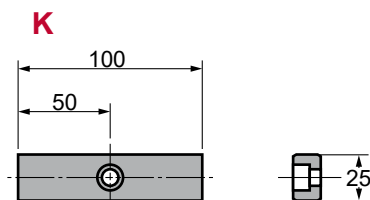
Order: Model (W) (α)
AUKE 0065 65

Standard order example according to catalog sheet.
 Add options applying options table contents.

OPTIONS

K

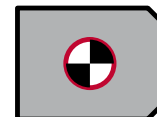
KEY



1 x M8x15

P PINS

Opcional diameters
Ø10H7 - Ø12H7 - Ø13H7



- P13** - Ø13 H7.
- PH13** - Ø13 H7. **only cam holder**
- PD13** - Ø13 H7. **only cam driver**

Order Options: Model (W) (α)-Option



- AUKE 0065 65-K**
- AUKE 0065 65-P13**
- AUKE 0065 65-P13-K**



SPARE PARTS:

- ⑧ Coil Spring

COMPONENTS

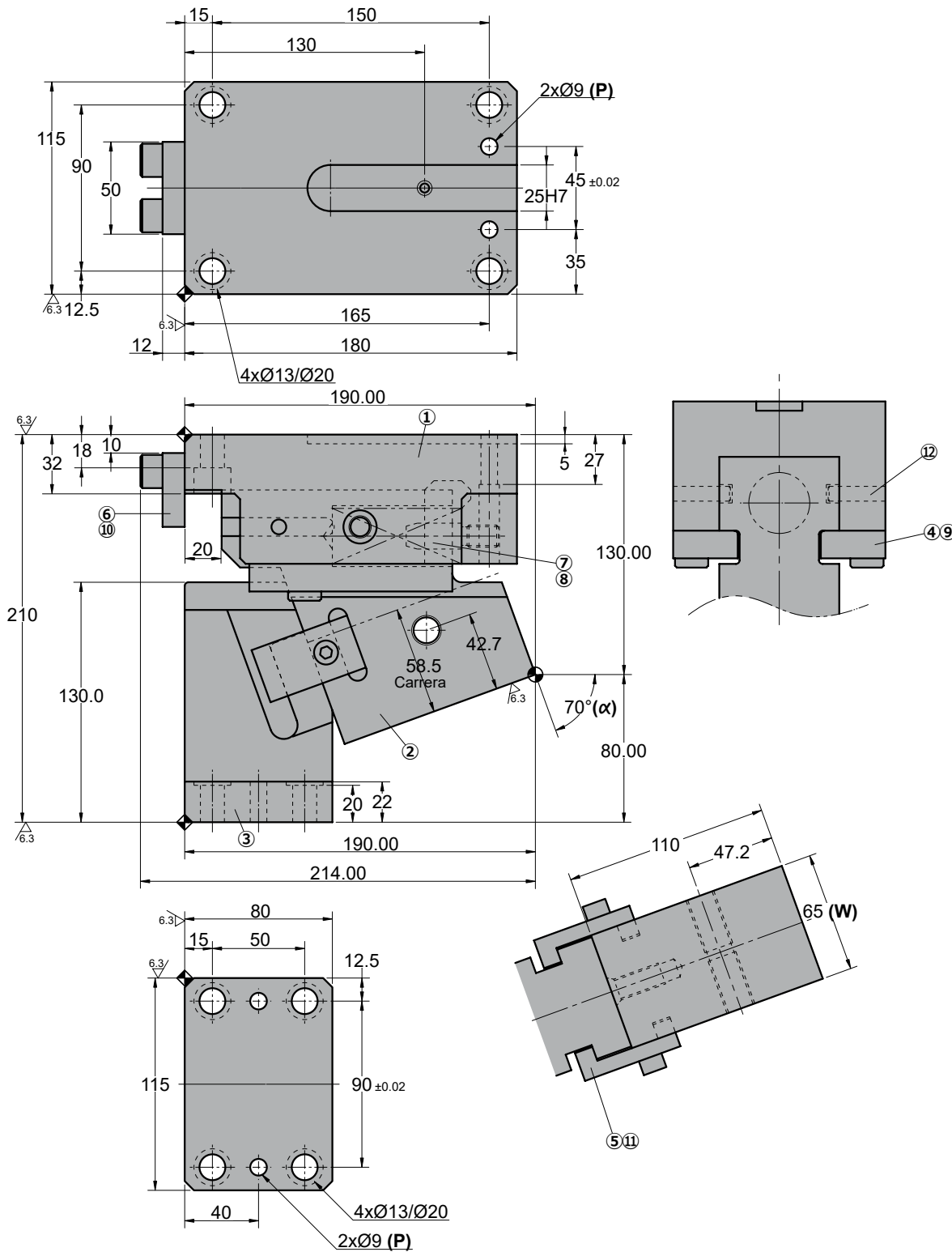
No.	Description	Qty.	Material
①	Cam Holder	1	GG25
②	Cam Slider	1	GGG50 + G
③	Cam Driver	1	GGG50 + G
④	Slider Plate	2	GG25 + G
⑤	Positive Return	2	CK45
⑥	Stopper Plate	1	CK45
⑦	Spring guide	1	CK45
⑧	Coil Spring	1	TL30-100
⑨	Screw	4	M12 x 25
⑩	Screw	2	M12 x 35
⑪	Screw	2	M8 x 25
⑫	Screw	2	M8 x 20

AUKE 0065

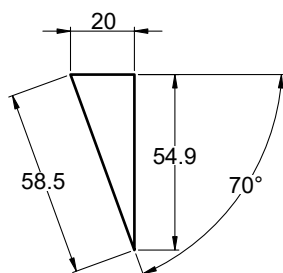
Aerial cam for pierce



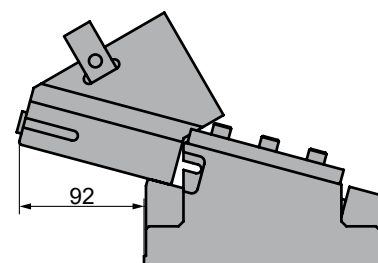
AUKE 0065 70



◦Cam diagram:



◦Disassembling space:





AUKE 0065

Aerial cam for pierce

Stroke (mm)	Working force kN - (tons)		Spring Force N - (kgf)		Weight (Kg)	Model	W (mm)	α (mm)
	(1 Million Strokes)	(300.000 Strokes)	Initial F ₀	Final F ₁				
58.5	29.4 (3.0)	58.8 (6.0)	296.3 (30.2)	890.7 (90.8)	18.4	AUKE	0065	70



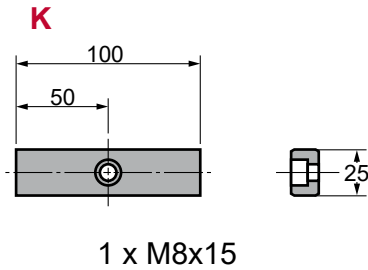
Order: Model (W) (α)
AUKE 0065 70

Standard order example according to catalog sheet. Add options applying options table contents.

OPTIONS

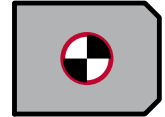
K

KEY



P PINS

Opcional diameters
Ø10H7 - Ø12H7 - Ø13H7



- P13** - Ø13 H7.
- PH13** - Ø13 H7. **only cam holder**
- PD13** - Ø13 H7. **only cam driver**

Order Options: Model (W) (α)-Option



- AUKE 0065 70-K**
- AUKE 0065 70-P13**
- AUKE 0065 70-P13-K**



SPARE PARTS:

- ⑧ Coil Spring

COMPONENTS

No.	Description	Qty.	Material
①	Cam Holder	1	GG25
②	Cam Slider	1	GGG50 + G
③	Cam Driver	1	GGG50 + G
④	Slider Plate	2	GG25 + G
⑤	Positive Return	2	CK45
⑥	Stopper Plate	1	CK45
⑦	Spring guide	1	CK45
⑧	Coil Spring	1	TL30-100
⑨	Screw	4	M12 x 25
⑩	Screw	2	M12 x 35
⑪	Screw	2	M8 x 25
⑫	Screw	2	M8 x 20

AUKE 0065

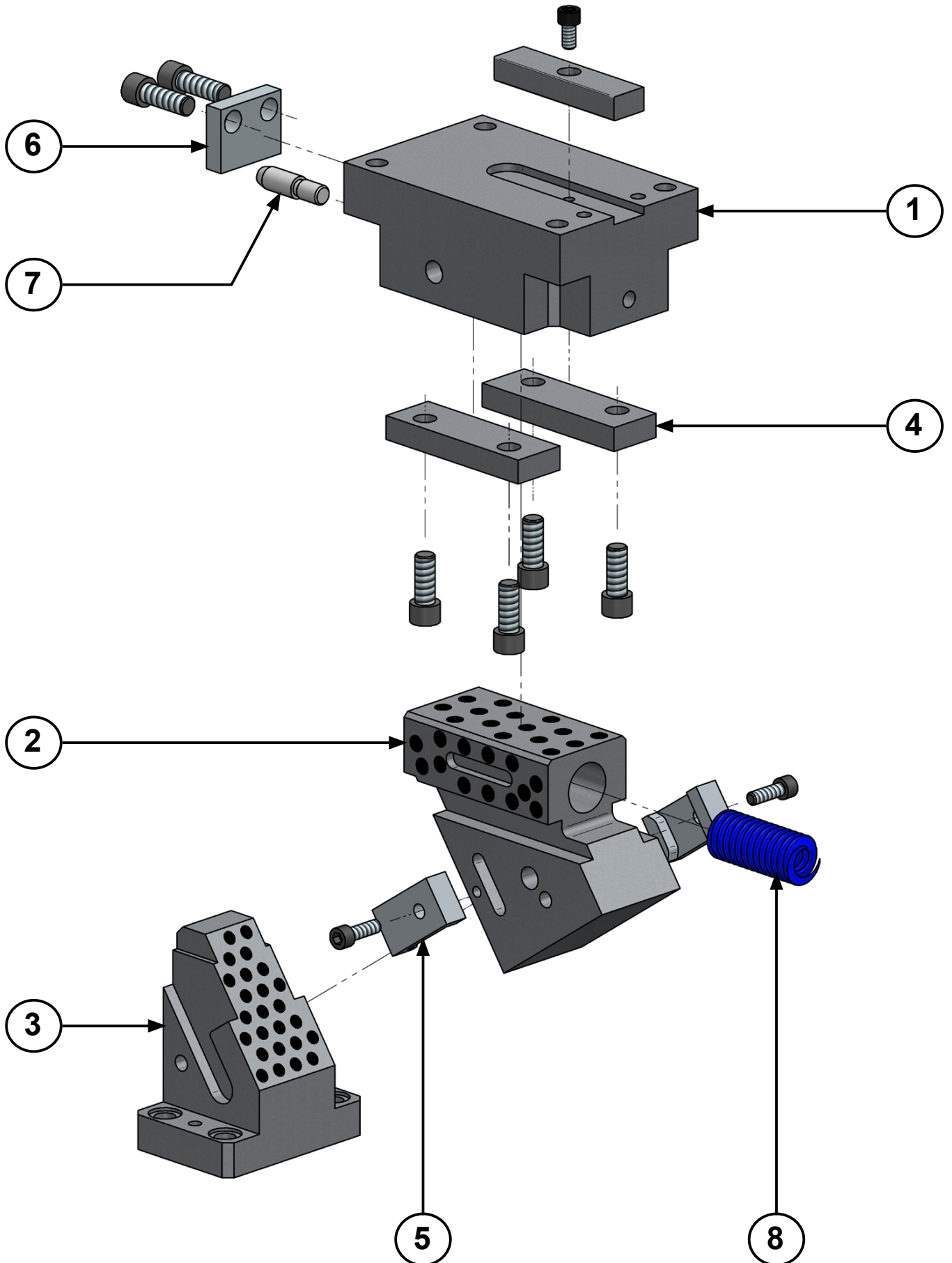


Aerial cam for pierce



AUKE 0100

Aerial cam for pierce and flange

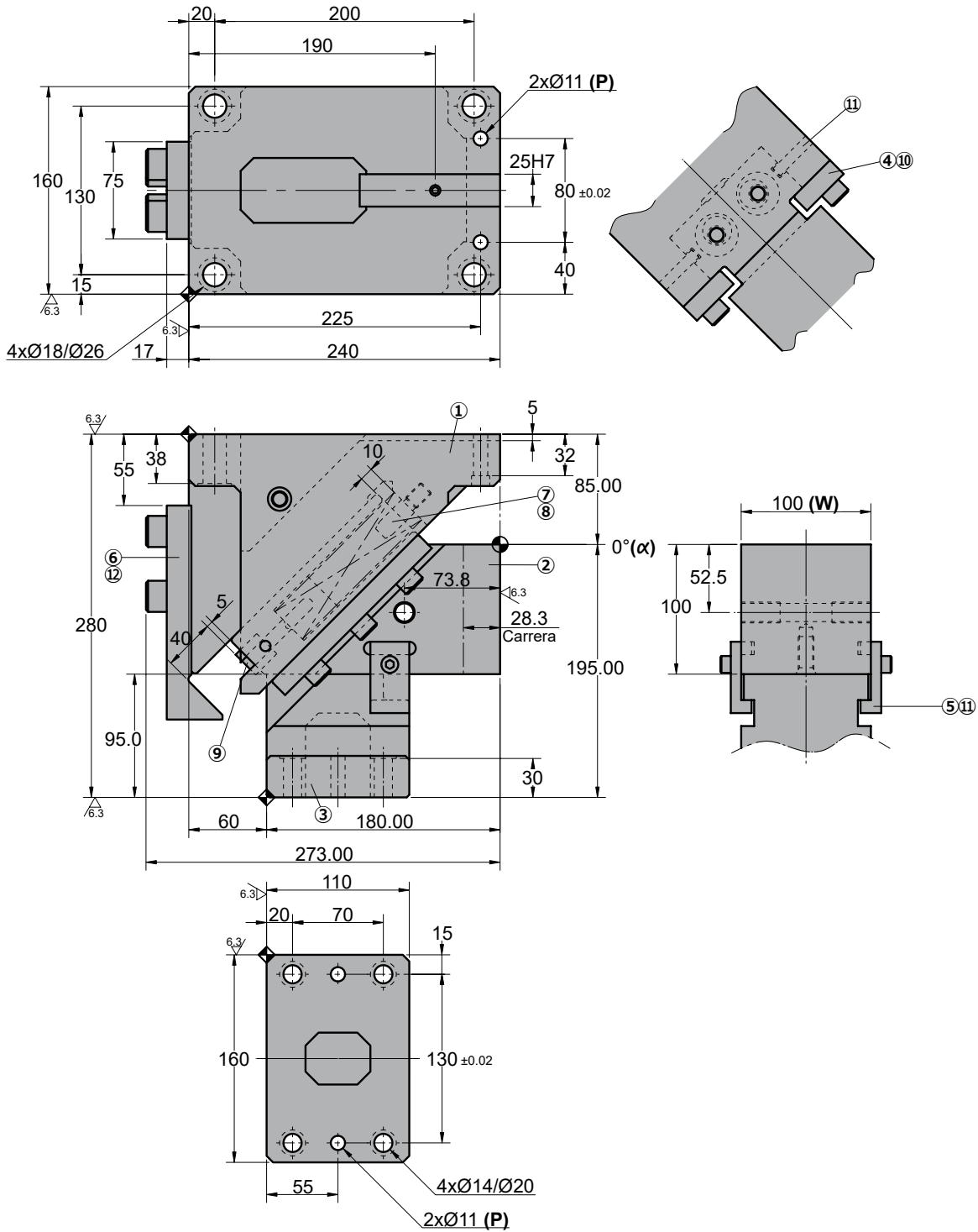


AUKE 0100

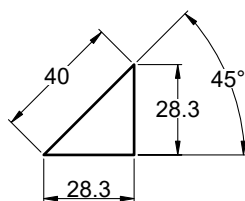
Aerial cam for pierce and flange



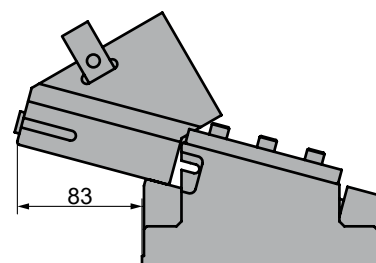
AUKE 0100 00



◦Cam diagram:



◦Disassembling space:





AUKE 0100

Aerial cam for pierce and flange

Stroke (mm)	Working force kN - (tons)		Spring Force N - (kgf)		Weight (Kg)	Model	W (mm)	α (mm)
	(1 Million Strokes)	(300.000 Strokes)	Initial F ₀	Final F ₁				
28.3	44.1 (4.5)	88.2 (9.0)	313.0 (31.9)	2819.7 (287.5)	47.0	AUKE	0100	00



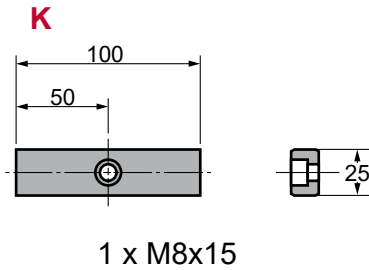
Order: Model (W) (α)
AUKE 0100 00

Standard order example according to catalog sheet.
 Add options applying options table contents.

OPTIONS

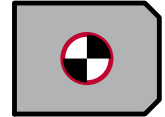
K

KEY



P PINS

Opcional diameters
Ø12H7 - Ø13H7



P13 - Ø13 H7.

PH13 - Ø13 H7. **only cam holder**

PD13 - Ø13 H7. **only cam driver**

Order Options: Model (W) (α)-Option



AUKE 0100 00-K

AUKE 0100 00-P13

AUKE 0100 00-P13-K



SPARE PARTS:

⑧ Coil Spring

COMPONENTS

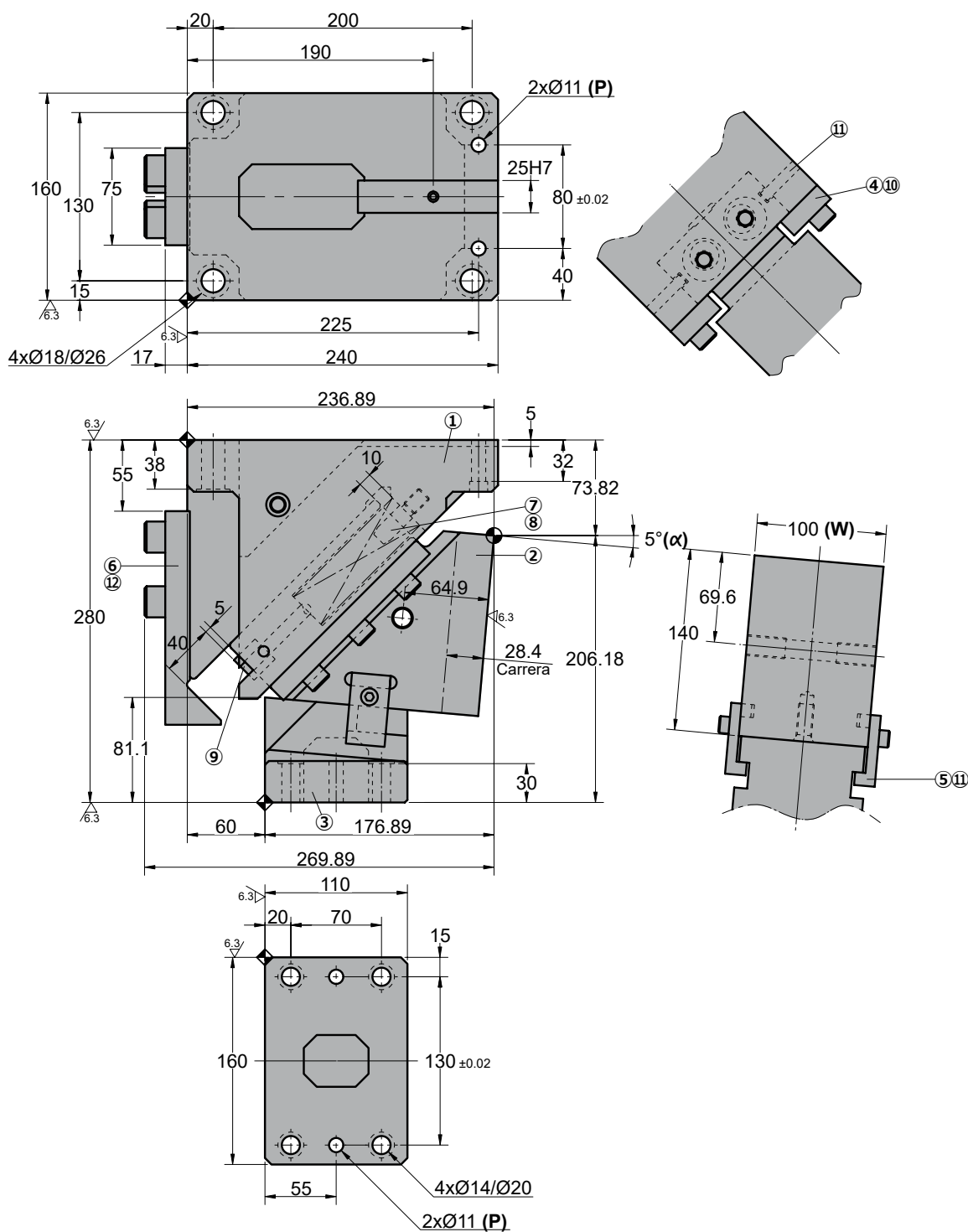
No.	Description	Qty.	Material
①	Cam Holder	1	GG25
②	Cam Slider	1	GGG50 + G
③	Cam Driver	1	GGG50 + G
④	Slider Plate	2	CK45 + G
⑤	Positive Return	2	CK45
⑥	Stopper Plate	1	CK45
⑦	Spring guide	2	CK45
⑧	Coil Spring	2	TM30-175
⑨	Cushioning Stopper	2	Urethane
⑩	Screw	6	M12 x 35
⑪	Screw	4	M8 x 25
⑫	Screw	4	M16 x 45

AUKE 0100

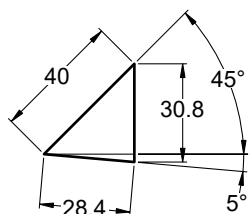
Aerial cam for pierce and flange



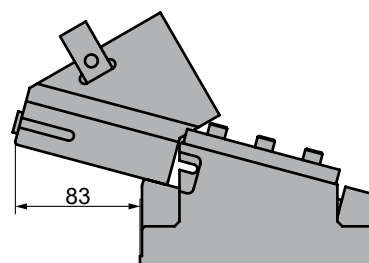
AUKE 0100 05



Cam diagram:



Disassembling space:





AUKE 0100

Aerial cam for pierce and flange

Stroke (mm)	Working force kN - (tons)		Spring Force N - (kgf)		Weight (Kg)	Model	W (mm)	α (mm)
	(1 Million Strokes)	(300.000 Strokes)	Initial F ₀	Final F ₁				
28.4	44.1 (4.5)	88.2 (9.0)	146.4 (14.9)	3070.2 (313.3)	47.8	AUKE	0100	05



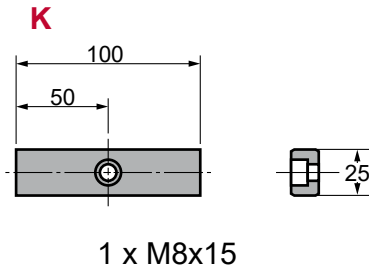
Order: Model (W) (α)
AUKE 0100 05

Standard order example according to catalog sheet. Add options applying options table contents.

OPTIONS

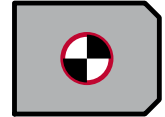
K

KEY



P PINS

Opcional diameters
Ø12H7 - Ø13H7



P13 - Ø13 H7.

PH13 - Ø13 H7. **only cam holder**

PD13 - Ø13 H7. **only cam driver**

Order Options: Model (W) (α)-Option



AUKE 0100 05-K

AUKE 0100 05-P13

AUKE 0100 05-P13-K



SPARE PARTS:

⑧ Coil Spring

COMPONENTS

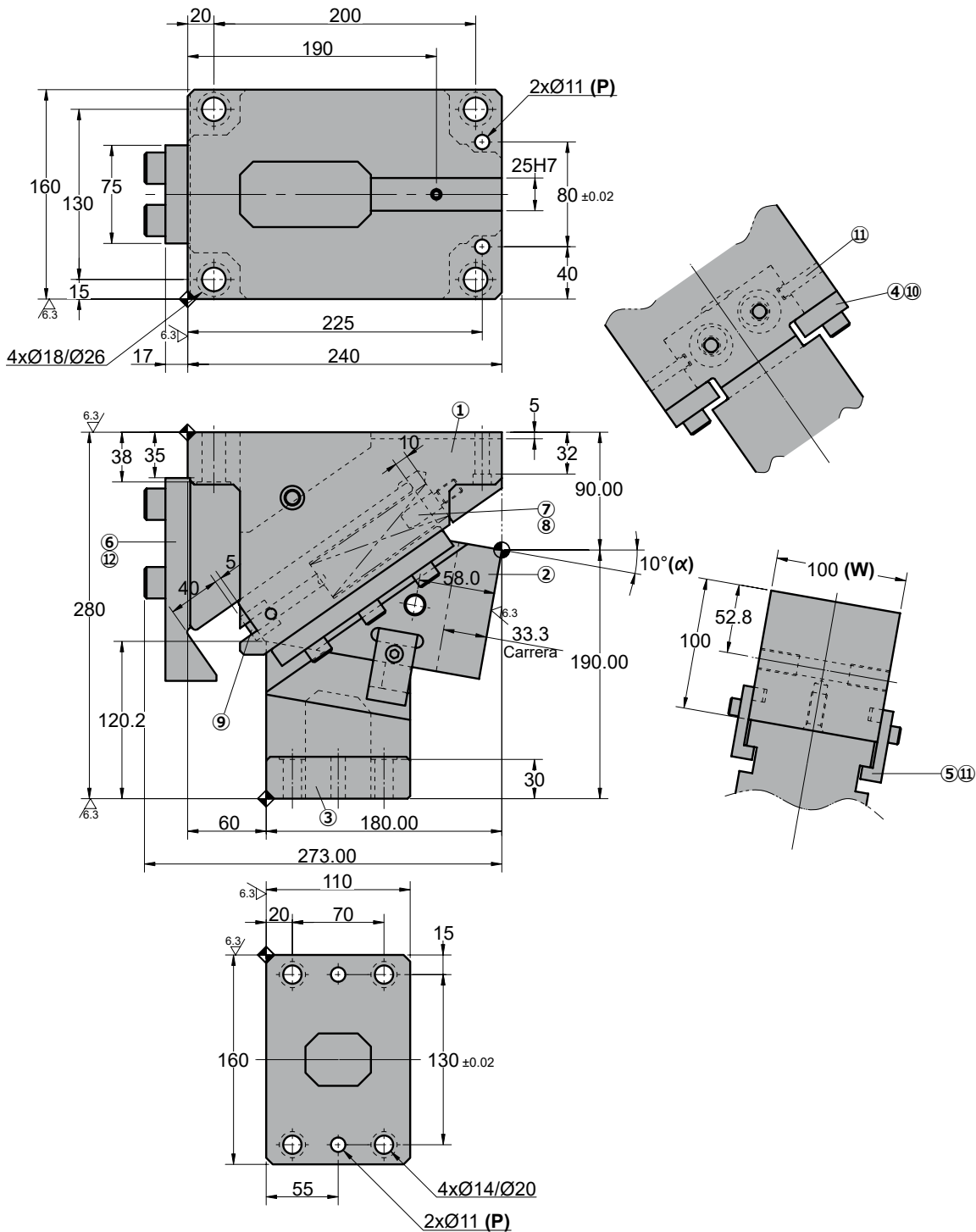
No.	Description	Qty.	Material
①	Cam Holder	1	GG25
②	Cam Slider	1	GGG50 + G
③	Cam Driver	1	GGG50 + G
④	Slider Plate	2	CK45 + G
⑤	Positive Return	2	CK45
⑥	Stopper Plate	1	CK45
⑦	Spring guide	2	CK45
⑧	Coil Spring	2	TM30-150
⑨	Cushioning Stopper	2	Urethane
⑩	Screw	6	M12 x 35
⑪	Screw	4	M8 x 25
⑫	Screw	4	M16 x 45

AUKE 0100

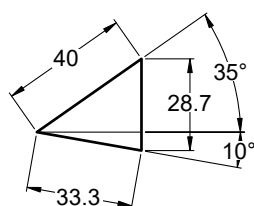
Aerial cam for pierce and flange



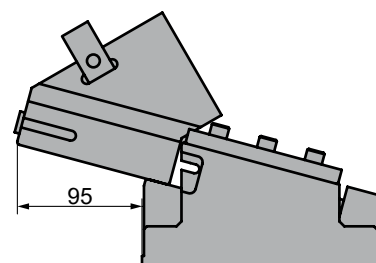
AUKE 0100 10



◦Cam diagram:



◦Disassembling space:





AUKE 0100

Aerial cam for pierce and flange

Stroke (mm)	Working force kN - (tons)		Spring Force N - (kgf)		Weight (Kg)	Model	W (mm)	α (mm)
	(1 Million Strokes)	(300.000 Strokes)	Initial F ₀	Final F ₁				
33.3	44.1 (4.5)	88.2 (9.0)	146.4 (14.9)	3070.2 (313.3)	44.9	AUKE	0100	10



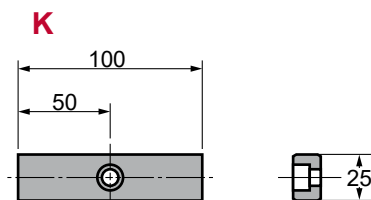
Order: Model (W) (α)
AUKE 0100 10

Standard order example according to catalog sheet.
 Add options applying options table contents.

OPTIONS

K

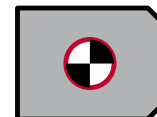
KEY



1 x M8x15

P PINS

Opcional diameters
 $\varnothing 12H7 - \varnothing 13H7$



- P13** - $\varnothing 13 H7$.
- PH13** - $\varnothing 13 H7$. only cam holder
- PD13** - $\varnothing 13 H7$. only cam driver

Order Options: Model (W) (α)-Option



AUKE 0100 10-K
AUKE 0100 10-P13
AUKE 0100 10-P13-K



SPARE PARTS:

⑧ Coil Spring

COMPONENTS

No.	Description	Qty.	Material
①	Cam Holder	1	GG25
②	Cam Slider	1	GGG50 + G
③	Cam Driver	1	GGG50 + G
④	Slider Plate	2	CK45 + G
⑤	Positive Return	2	CK45
⑥	Stopper Plate	1	CK45
⑦	Spring guide	2	CK45
⑧	Coil Spring	2	TM30-150
⑨	Cushioning Stopper	2	Urethane
⑩	Screw	6	M12 x 35
⑪	Screw	4	M8 x 25
⑫	Screw	4	M16 x 45

Stroke (mm)	Working force kN - (tons)		Spring Force N - (kgf)		Weight (Kg)	Model	W (mm)	α (mm)
	(1 Million Strokes)	(300.000 Strokes)	Initial F ₀	Final F ₁				
33.9	44.1 (4.5)	88.2 (9.0)	146.4 (14.9)	3070.2 (313.3)	47.1	AUKE	0100	15



Order: Model (W) (α)

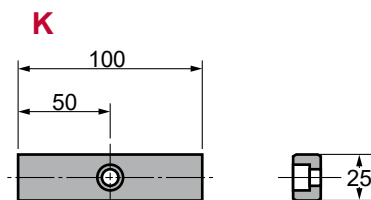
AUKE 0100 15

Standard order example according to catalog sheet.
Add options applying options table contents.

OPTIONS

K

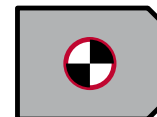
KEY



1 x M8x15

P PINS

Opcional diameters
Ø12H7 - Ø13H7



P13 - Ø13 H7.

PH13 - Ø13 H7. **only cam holder**

PD13 - Ø13 H7. **only cam driver**

Order Options: Model (W) (α)-Option



AUKE 0100 15-K

AUKE 0100 15-P13

AUKE 0100 15-P13-K



SPARE PARTS:

⑧ Coil Spring

COMPONENTS

No.	Description	Qty.	Material
①	Cam Holder	1	GG25
②	Cam Slider	1	GGG50 + G
③	Cam Driver	1	GGG50 + G
④	Slider Plate	2	CK45 + G
⑤	Positive Return	2	CK45
⑥	Stopper Plate	1	CK45
⑦	Spring guide	2	CK45
⑧	Coil Spring	2	TM30-150
⑨	Cushioning Stopper	2	Urethane
⑩	Screw	6	M12 x 35
⑪	Screw	4	M8 x 25
⑫	Screw	4	M16 x 45



AUKE 0100

Aerial cam for pierce and flange

Stroke (mm)	Working force kN - (tons)		Spring Force N - (kgf)		Weight (Kg)	Model	W (mm)	α (mm)
	(1 Million Strokes)	(300.000 Strokes)	Initial F ₀	Final F ₁				
30.9	44.1 (4.5)	88.2 (9.0)	175.2 (17.9)	2982.5 (304.1)	44.8	AUKE	0100	20



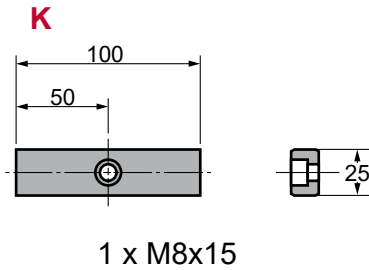
Order: Model (W) (α)
AUKE 0100 20

Standard order example according to catalog sheet. Add options applying options table contents.

OPTIONS

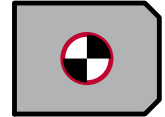
K

KEY



P PINS

Opcional diameters
Ø12H7 - Ø13H7



P13 - Ø13 H7.

PH13 - Ø13 H7. **only cam holder**

PD13 - Ø13 H7. **only cam driver**

Order Options: Model (W) (α)-Option



AUKE 0100 20-K

AUKE 0100 20-P13

AUKE 0100 20-P13-K



SPARE PARTS:

⑧ Coil Spring

COMPONENTS

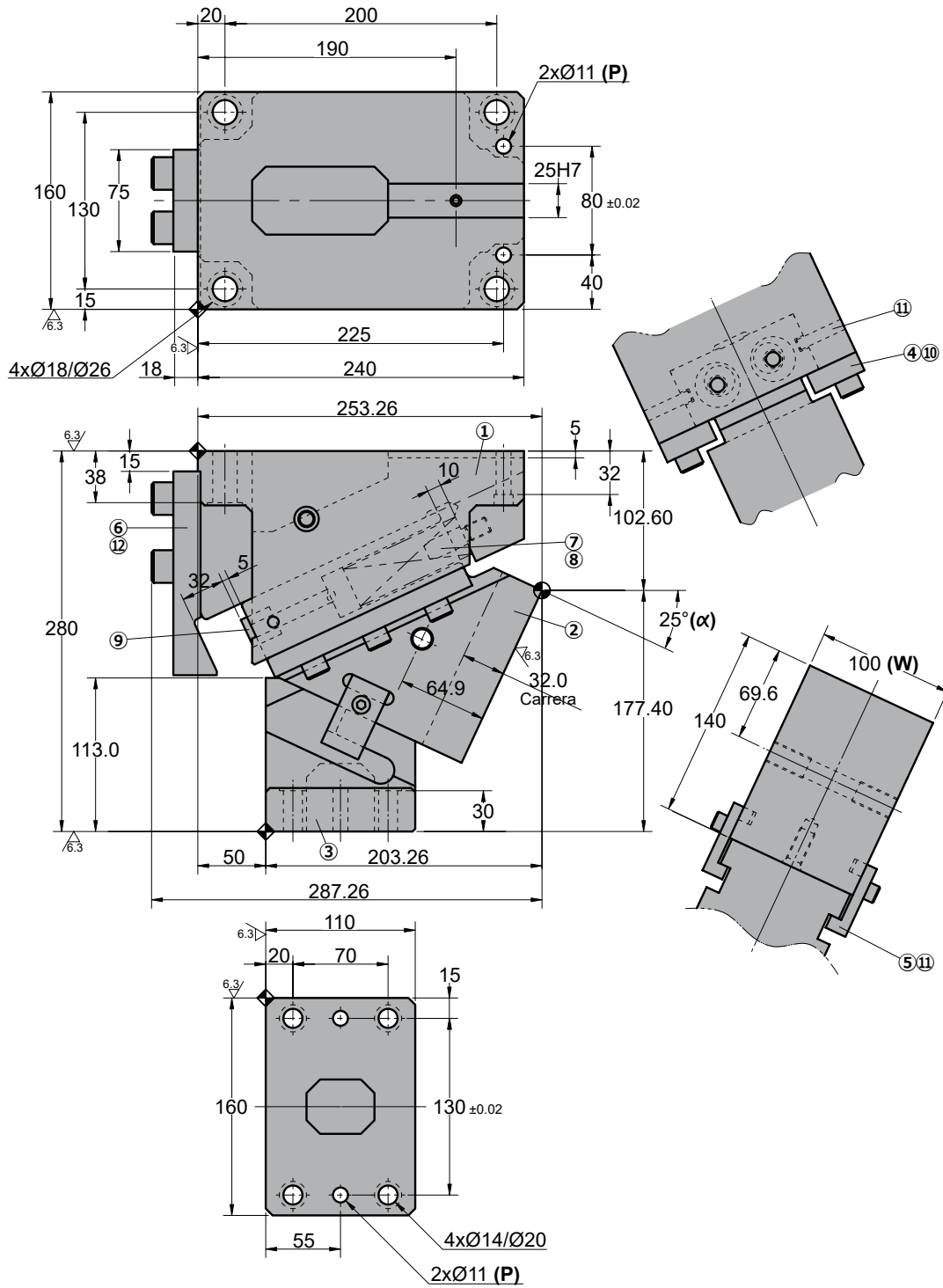
No.	Description	Qty.	Material
①	Cam Holder	1	GG25
②	Cam Slider	1	GGG50 + G
③	Cam Driver	1	GGG50 + G
④	Slider Plate	2	CK45 + G
⑤	Positive Return	2	CK45
⑥	Stopper Plate	1	CK45
⑦	Spring guide	2	CK45
⑧	Coil Spring	2	TM30-125
⑨	Cushioning Stopper	2	Urethane
⑩	Screw	6	M12 x 35
⑪	Screw	4	M8 x 25
⑫	Screw	4	M16 x 45

AUKE 0100

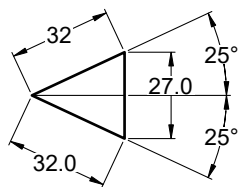
Aerial cam for pierce and flange



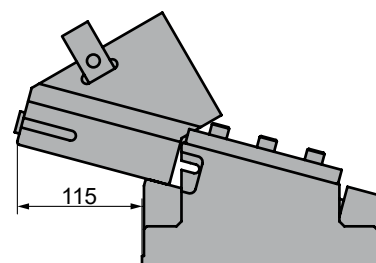
AUKE 0100 25



◦Cam diagram:



◦Disassembling space:





AUKE 0100

Aerial cam for pierce and flange

Stroke (mm)	Working force kN - (tons)		Spring Force N - (kgf)		Weight (Kg)	Model	W (mm)	α (mm)
	(1 Million Strokes)	(300.000 Strokes)	Initial F ₀	Final F ₁				
32.0	44.1 (4.5)	88.2 (9.0)	175.2 (17.9)	2982.5 (304.1)	46.5	AUKE	0100	25



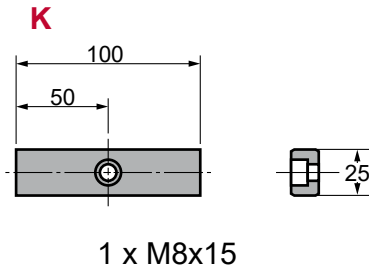
Order: Model (W) (α)
AUKE 0100 25

Standard order example according to catalog sheet. Add options applying options table contents.

OPTIONS

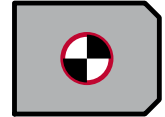
K

KEY



P PINS

Opcional diameters
Ø12H7 - Ø13H7



P13 - Ø13 H7.

PH13 - Ø13 H7. **only cam holder**

PD13 - Ø13 H7. **only cam driver**

Order Options: Model (W) (α)-Option



AUKE 0100 25-K

AUKE 0100 25-P13

AUKE 0100 25-P13-K



SPARE PARTS:

⑧ Coil Spring

COMPONENTS

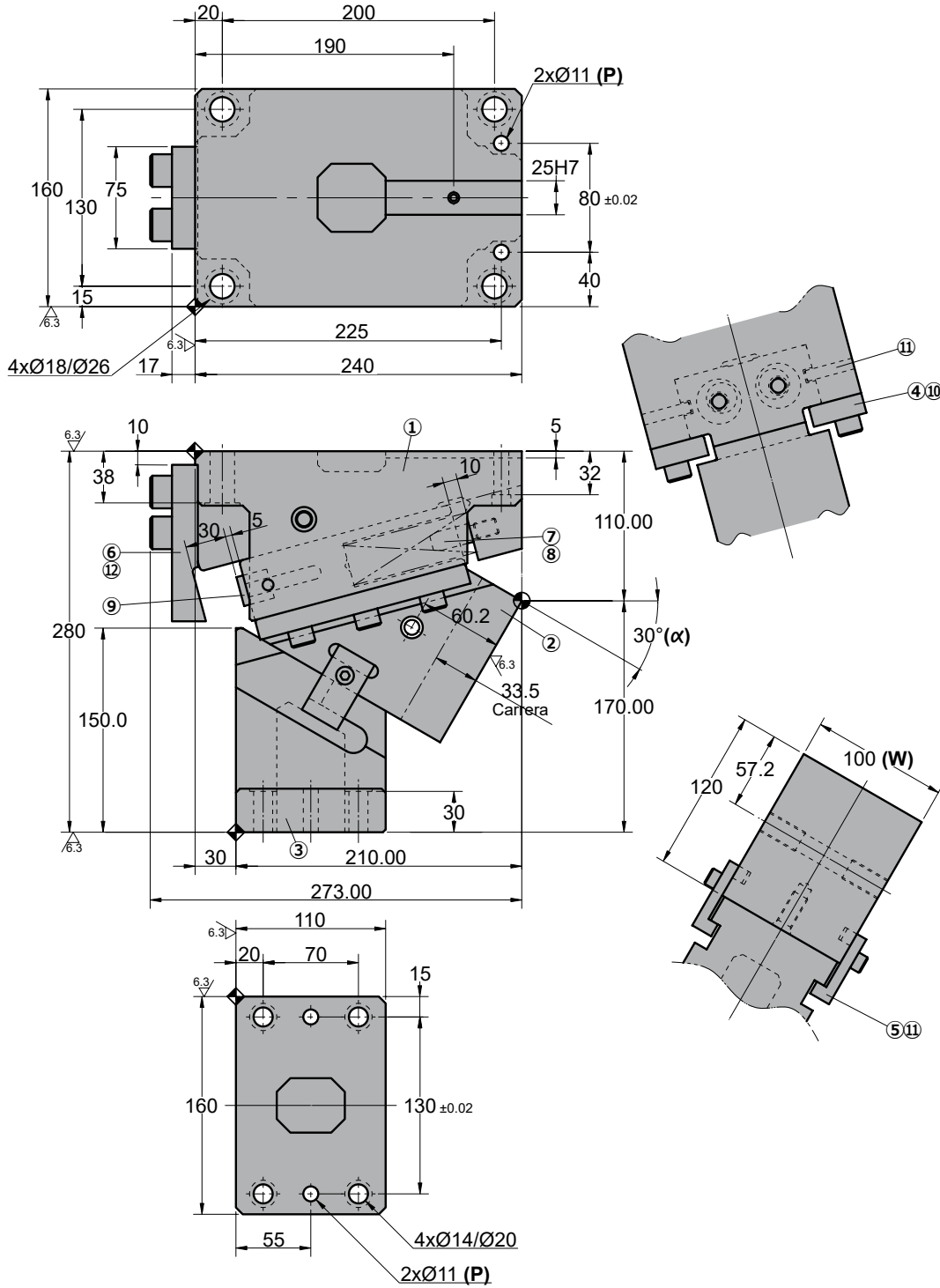
No.	Description	Qty.	Material
①	Cam Holder	1	GG25
②	Cam Slider	1	GGG50 + G
③	Cam Driver	1	GGG50 + G
④	Slider Plate	2	CK45 + G
⑤	Positive Return	2	CK45
⑥	Stopper Plate	1	CK45
⑦	Spring guide	2	CK45
⑧	Coil Spring	2	TM30-125
⑨	Cushioning Stopper	2	Urethane
⑩	Screw	6	M12 x 35
⑪	Screw	4	M8 x 25
⑫	Screw	4	M16 x 45

AUKE 0100

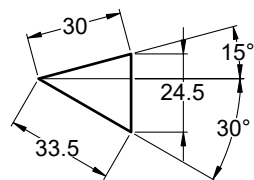
Aerial cam for pierce and flange



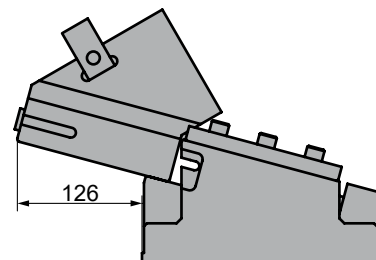
AUKE 0100 30



◦Cam diagram:



◦Disassembling space:





AUKE 0100

Aerial cam for pierce and flange

Stroke (mm)	Working force kN - (tons)		Spring Force N - (kgf)		Weight (Kg)	Model	W (mm)	α (mm)
	(1 Million Strokes)	(300.000 Strokes)	Initial F ₀	Final F ₁				
33.5	44.1 (4.5)	88.2 (9.0)	175.2 (17.9)	2982.5 (304.1)	44.1	AUKE	0100	30



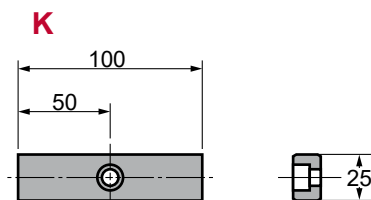
Order: Model (W) (α)
AUKE 0100 30

Standard order example according to catalog sheet.
 Add options applying options table contents.

OPTIONS

K

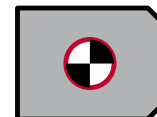
KEY



1 x M8x15

P PINS

Opcional diameters
 $\varnothing 12H7 - \varnothing 13H7$



- P13** - $\varnothing 13 H7$.
- PH13** - $\varnothing 13 H7$. only cam holder
- PD13** - $\varnothing 13 H7$. only cam driver

Order Options: Model (W) (α)-Option



AUKE 0100 30-K
AUKE 0100 30-P13
AUKE 0100 30-P13-K



SPARE PARTS:

⑧ Coil Spring

COMPONENTS

No.	Description	Qty.	Material
①	Cam Holder	1	GG25
②	Cam Slider	1	GGG50 + G
③	Cam Driver	1	GGG50 + G
④	Slider Plate	2	CK45 + G
⑤	Positive Return	2	CK45
⑥	Stopper Plate	1	CK45
⑦	Spring guide	2	CK45
⑧	Coil Spring	2	TM30-125
⑨	Cushioning Stopper	2	Urethane
⑩	Screw	6	M12 x 35
⑪	Screw	4	M8 x 25
⑫	Screw	4	M16 x 45



AUKE 0100

Aerial cam for pierce and flange

Stroke (mm)	Working force kN - (tons)		Spring Force N - (kgf)		Weight (Kg)	Model	W (mm)	α (mm)
	(1 Million Strokes)	(300.000 Strokes)	Initial F ₀	Final F ₁				
35.4	44.1 (4.5)	88.2 (9.0)	175.2 (17.9)	2807.0 (286.2)	45.4	AUKE	0100	35



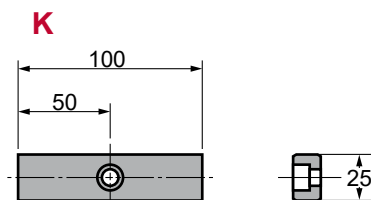
Order: Model (W) (α)
AUKE 0100 35

Standard order example according to catalog sheet. Add options applying options table contents.

OPTIONS

K

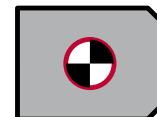
KEY



1 x M8x15

P PINS

Opcional diameters
Ø12H7 - Ø13H7



- P13** - Ø13 H7.
- PH13** - Ø13 H7. **only cam holder**
- PD13** - Ø13 H7. **only cam driver**

Order Options: Model (W) (α)-Option



- AUKE 0100 35-K**
- AUKE 0100 35-P13**
- AUKE 0100 35-P13-K**



SPARE PARTS:

- ⑧ Coil Spring

COMPONENTS

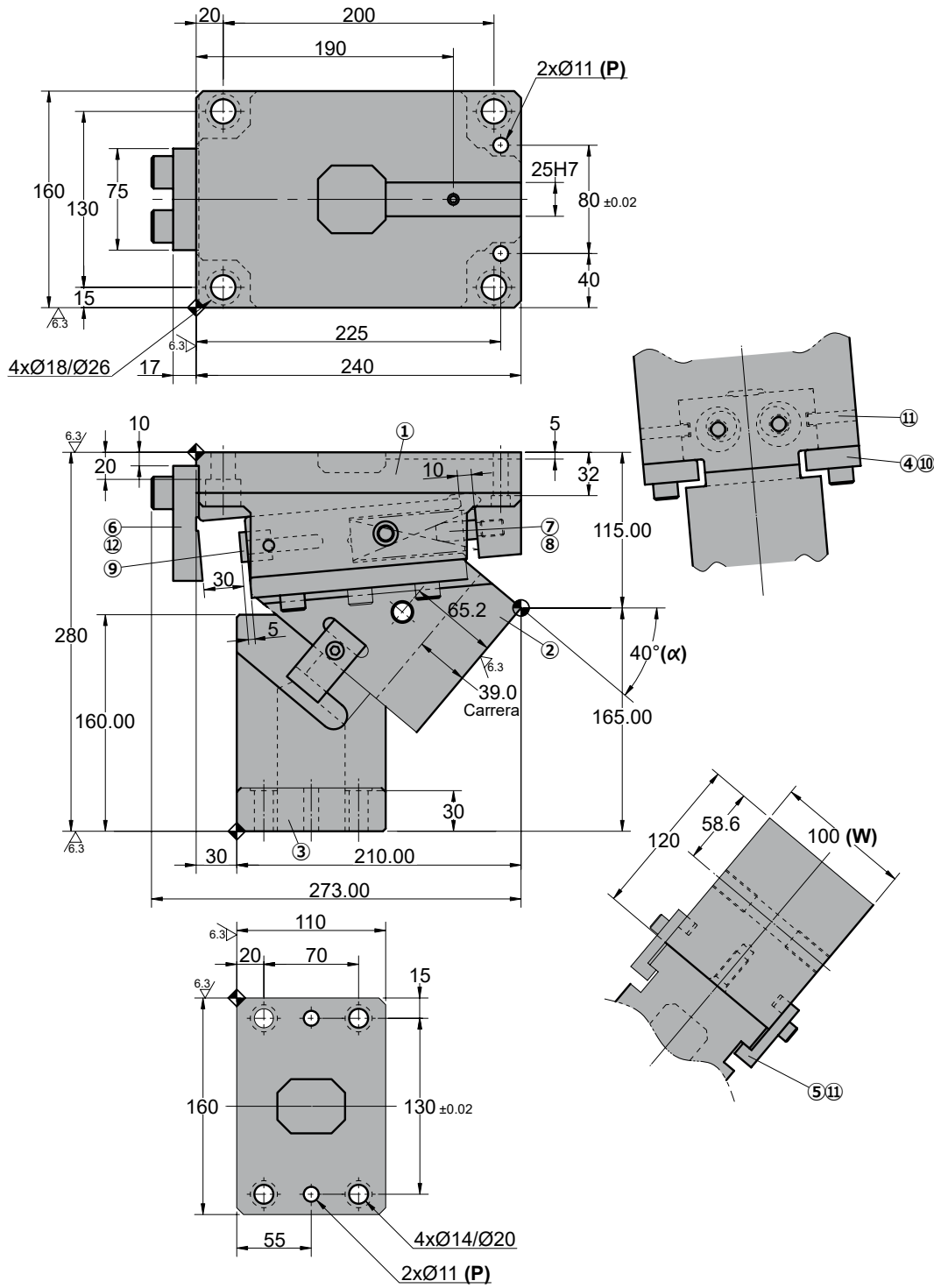
No.	Description	Qty.	Material
①	Cam Holder	1	GG25
②	Cam Slider	1	GGG50 + G
③	Cam Driver	1	GGG50 + G
④	Slider Plate	2	CK45 + G
⑤	Positive Return	2	CK45
⑥	Stopper Plate	1	CK45
⑦	Spring guide	2	CK45
⑧	Coil Spring	2	TM30-125
⑨	Cushioning Stopper	2	Urethane
⑩	Screw	6	M12 x 35
⑪	Screw	4	M8 x 25
⑫	Screw	4	M16 x 45

AUKE 0100

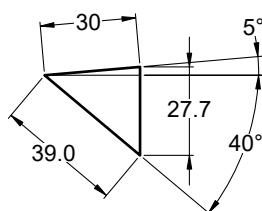
Aerial cam for pierce and flange



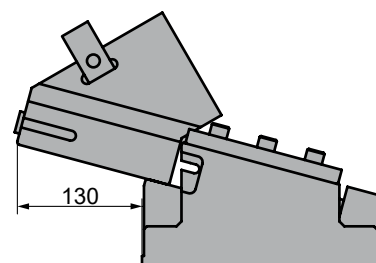
AUKE 0100 40



◦Cam diagram:



◦Disassembling space:





AUKE 0100

Aerial cam for pierce and flange

Stroke (mm)	Working force kN - (tons)		Spring Force N - (kgf)		Weight (Kg)	Model	W (mm)	α (mm)
	(1 Million Strokes)	(300.000 Strokes)	Initial F ₀	Final F ₁				
39.0	44.1 (4.5)	88.2 (9.0)	175.2 (17.9)	2807.0 (286.2)	45.4	AUKE	0100	40



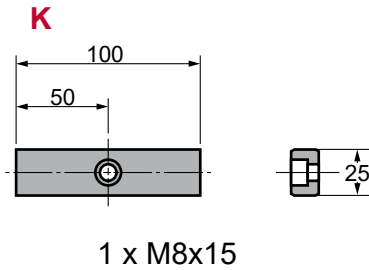
Order: Model (W) (α)
AUKE 0100 40

Standard order example according to catalog sheet. Add options applying options table contents.

OPTIONS

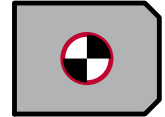
K

KEY



P PINS

Opcional diameters
 $\varnothing 12H7 - \varnothing 13H7$



P13 - $\varnothing 13 H7$.

PH13 - $\varnothing 13 H7$. only cam holder

PD13 - $\varnothing 13 H7$. only cam driver

Order Options: Model (W) (α)-Option



AUKE 0100 40-K

AUKE 0100 40-P13

AUKE 0100 40-P13-K



SPARE PARTS:

⑧ Coil Spring

COMPONENTS

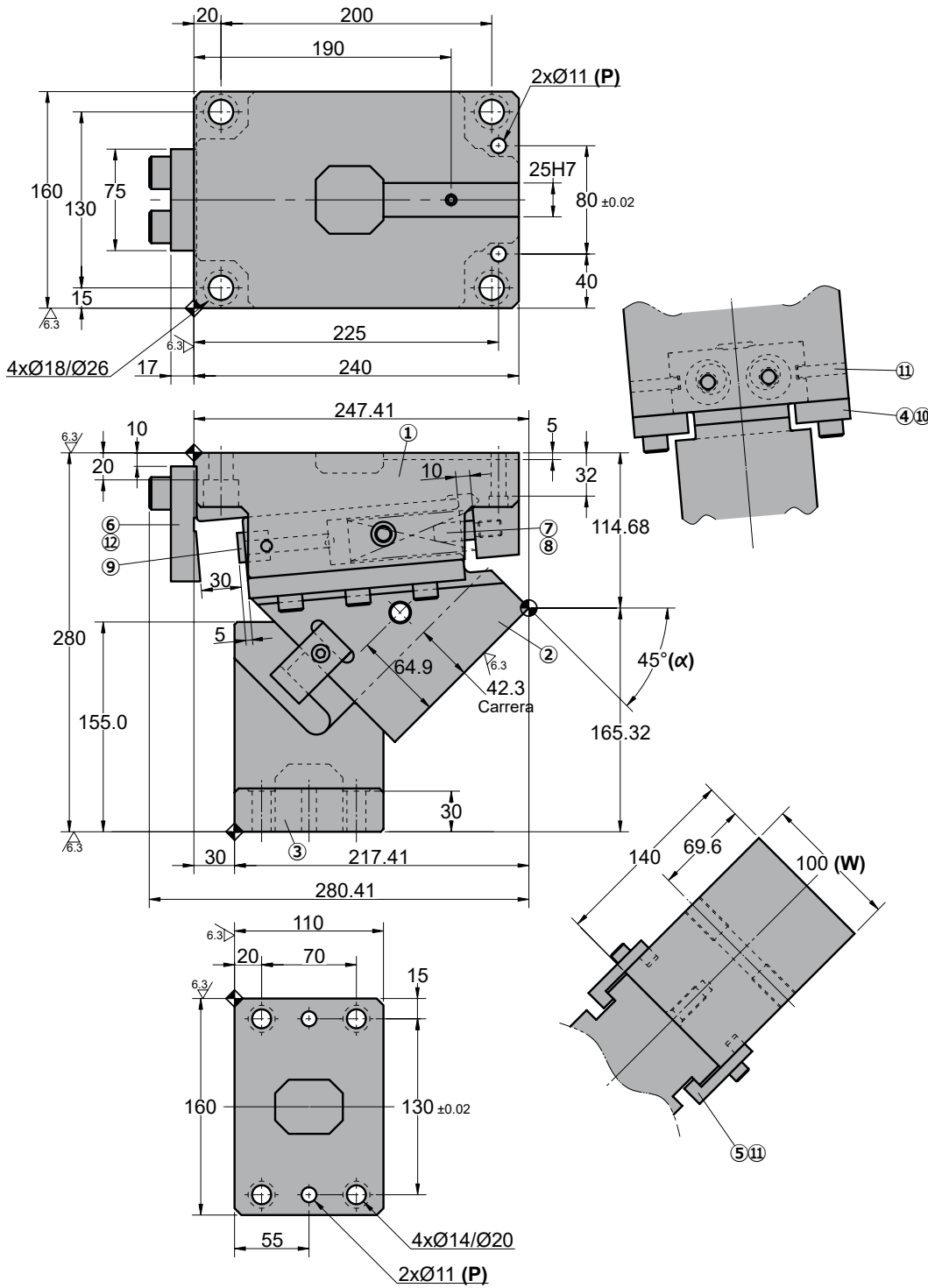
No.	Description	Qty.	Material
①	Cam Holder	1	GG25
②	Cam Slider	1	GGG50 + G
③	Cam Driver	1	GGG50 + G
④	Slider Plate	2	CK45 + G
⑤	Positive Return	2	CK45
⑥	Stopper Plate	1	CK45
⑦	Spring guide	2	CK45
⑧	Coil Spring	2	TM30-125
⑨	Cushioning Stopper	2	Urethane
⑩	Screw	6	M12 x 35
⑪	Screw	4	M8 x 25
⑫	Screw	2	M16 x 45

AUKE 0100

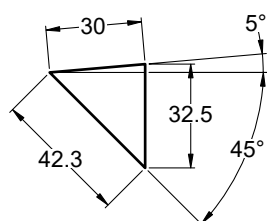
Aerial cam for pierce and flange



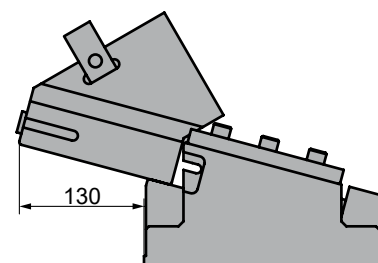
AUKE 0100 45



◦Cam diagram:



◦Disassembling space:





AUKE 0100

Aerial cam for pierce and flange

Stroke (mm)	Working force kN - (tons)		Spring Force N - (kgf)		Weight (Kg)	Model	W (mm)	α (mm)
	(1 Million Strokes)	(300.000 Strokes)	Initial F ₀	Final F ₁				
42.3	44.1 (4.5)	88.2 (9.0)	175.2 (17.9)	2807.0 (286.2)	41.7	AUKE	0100	45



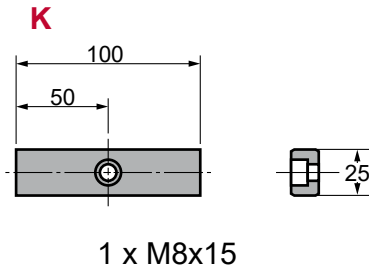
Order: Model (W) (α)
AUKE 0100 45

Standard order example according to catalog sheet. Add options applying options table contents.

OPTIONS

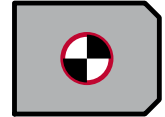
K

KEY



P PINS

Opcional diameters
Ø12H7 - Ø13H7



P13 - Ø13 H7.

PH13 - Ø13 H7. **only cam holder**

PD13 - Ø13 H7. **only cam driver**

Order Options: Model (W) (α)-Option



AUKE 0100 45-K

AUKE 0100 45-P13

AUKE 0100 45-P13-K



SPARE PARTS:

⑧ Coil Spring

COMPONENTS

No.	Description	Qty.	Material
①	Cam Holder	1	GG25
②	Cam Slider	1	GGG50 + G
③	Cam Driver	1	GGG50 + G
④	Slider Plate	2	CK45 + G
⑤	Positive Return	2	CK45
⑥	Stopper Plate	1	CK45
⑦	Spring guide	2	CK45
⑧	Coil Spring	2	TM30-125
⑨	Cushioning Stopper	2	Urethane
⑩	Screw	6	M12 x 35
⑪	Screw	4	M8 x 25
⑫	Screw	2	M16 x 45



AUKE 0100

Aerial cam for pierce and flange

Stroke (mm)	Working force kN - (tons)		Spring Force N - (kgf)		Weight (Kg)	Model	W (mm)	α (mm)
	(1 Million Strokes)	(300.000 Strokes)	Initial F ₀	Final F ₁				
46.7	49.0 (5.0)	98.0 (10.0)	175.2 (17.9)	2807.0 (286.2)	41.2	AUKE	0100	50



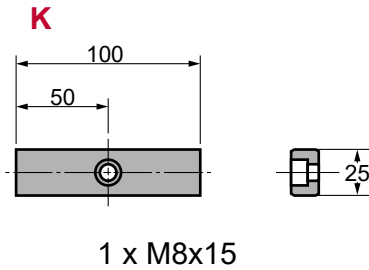
Order: Model (W) (α)
AUKE 0100 50

Standard order example according to catalog sheet. Add options applying options table contents.

OPTIONS

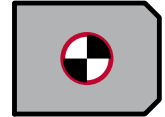
K

KEY



P PINS

Opcional diameters
Ø12H7 - Ø13H7



P13 - Ø13 H7.

PH13 - Ø13 H7. **only cam holder**

PD13 - Ø13 H7. **only cam driver**

Order Options: Model (W) (α)-Option



AUKE 0100 50-K

AUKE 0100 50-P13

AUKE 0100 50-P13-K



SPARE PARTS:

⑧ Coil Spring

COMPONENTS

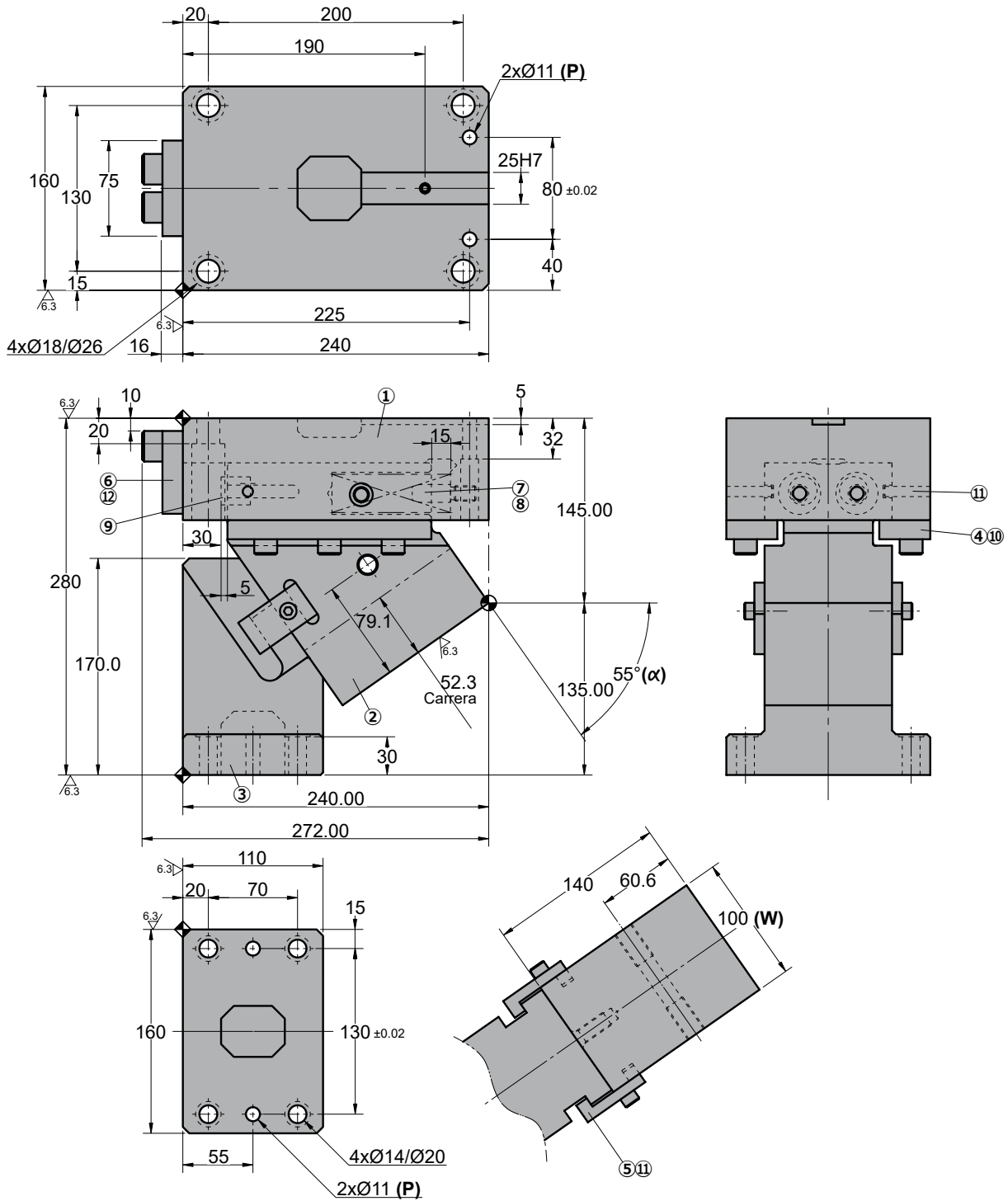
No.	Description	Qty.	Material
①	Cam Holder	1	GG25
②	Cam Slider	1	GGG50 + G
③	Cam Driver	1	GGG50 + G
④	Slider Plate	2	CK45 + G
⑤	Positive Return	2	CK45
⑥	Stopper Plate	1	CK45
⑦	Spring guide	2	CK45
⑧	Coil Spring	2	TM30-125
⑨	Cushioning Stopper	2	Urethane
⑩	Screw	6	M12 x 35
⑪	Screw	4	M8 x 25
⑫	Screw	2	M16 x 45

AUKE 0100

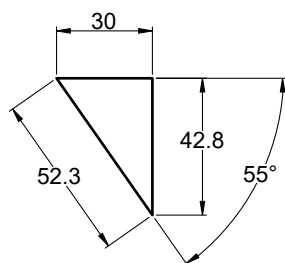
Aerial cam for pierce and flange



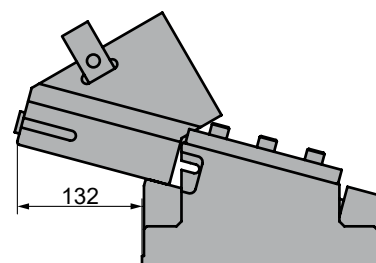
AUKE 0100 55



◦Cam diagram:



◦Disassembling space:





AUKE 0100

Aerial cam for pierce and flange

Stroke (mm)	Working force kN - (tons)		Spring Force N - (kgf)		Weight (Kg)	Model	W (mm)	α (mm)
	(1 Million Strokes)	(300.000 Strokes)	Initial F ₀	Final F ₁				
52.3	49.0 (5.0)	98.0 (10.0)	175.2 (17.9)	2807.0 (286.2)	44.0	AUKE	0100	55



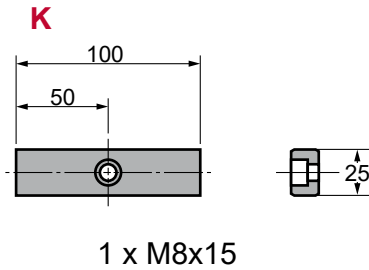
Order: Model (W) (α)
AUKE 0100 55

Standard order example according to catalog sheet.
 Add options applying options table contents.

OPTIONS

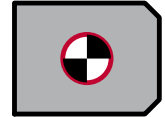
K

KEY



P PINS

Opcional diameters
Ø12H7 - Ø13H7



P13 - Ø13 H7.

PH13 - Ø13 H7. **only cam holder**

PD13 - Ø13 H7. **only cam driver**

Order Options: Model (W) (α)-Option



AUKE 0100 55-K

AUKE 0100 55-P13

AUKE 0100 55-P13-K



SPARE PARTS:

⑧ Coil Spring

COMPONENTS

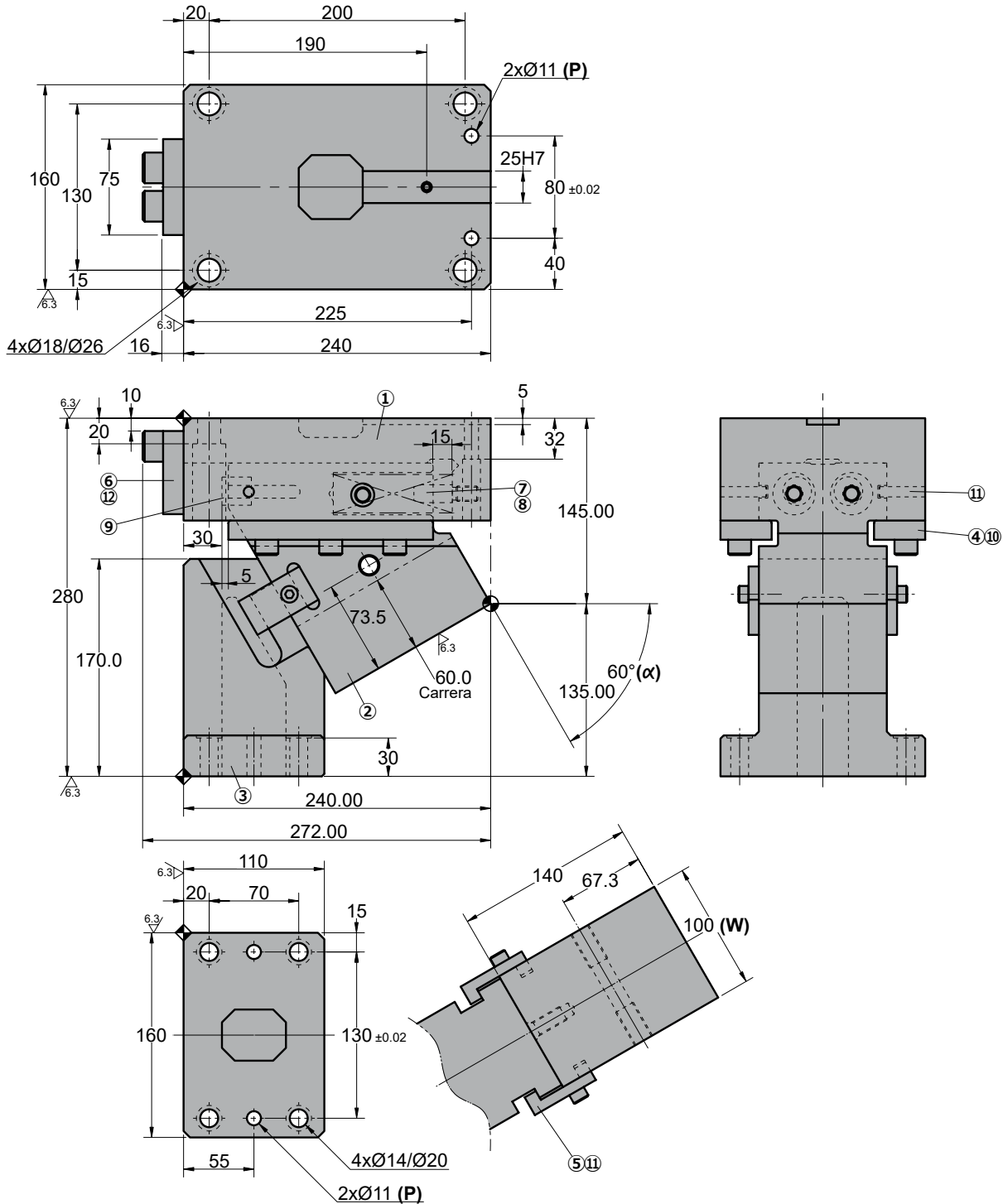
No.	Description	Qty.	Material
①	Cam Holder	1	GG25
②	Cam Slider	1	GGG50 + G
③	Cam Driver	1	GGG50 + G
④	Slider Plate	2	CK45 + G
⑤	Positive Return	2	CK45
⑥	Stopper Plate	1	CK45
⑦	Spring guide	2	CK45
⑧	Coil Spring	2	TM30-125
⑨	Cushioning Stopper	2	Urethane
⑩	Screw	6	M12 x 35
⑪	Screw	4	M8 x 25
⑫	Screw	2	M16 x 45

AUKE 0100

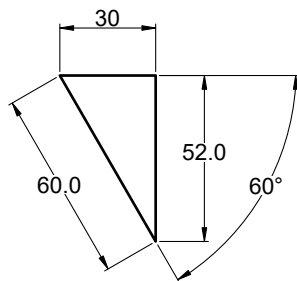
Aerial cam for pierce and flange



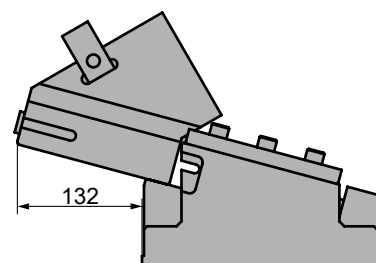
AUKE 0100 60



◦Cam diagram:



◦Disassembling space:





AUKE 0100

Aerial cam for pierce and flange

Stroke (mm)	Working force kN - (tons)		Spring Force N - (kgf)		Weight (Kg)	Model	W (mm)	α (mm)
	(1 Million Strokes)	(300.000 Strokes)	Initial F ₀	Final F ₁				
60.0	49.0 (5.0)	98.0 (10.0)	175.2 (17.9)	2807.0 (286.2)	42.5	AUKE	0100	60



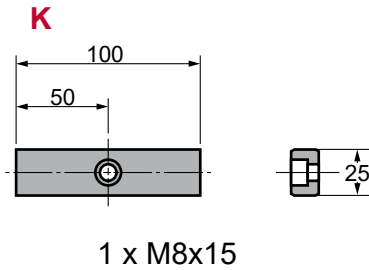
Order: Model (W) (α)
AUKE 0100 60

Standard order example according to catalog sheet.
 Add options applying options table contents.

OPTIONS

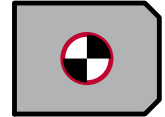
K

KEY



P PINS

Opcional diameters
 $\varnothing 12H7 - \varnothing 13H7$



P13 - $\varnothing 13 H7$.

PH13 - $\varnothing 13 H7$. only cam holder

PD13 - $\varnothing 13 H7$. only cam driver

Order Options: Model (W) (α)-Option



AUKE 0100 60-K

AUKE 0100 60-P13

AUKE 0100 60-P13-K



SPARE PARTS:

⑧ Coil Spring

COMPONENTS

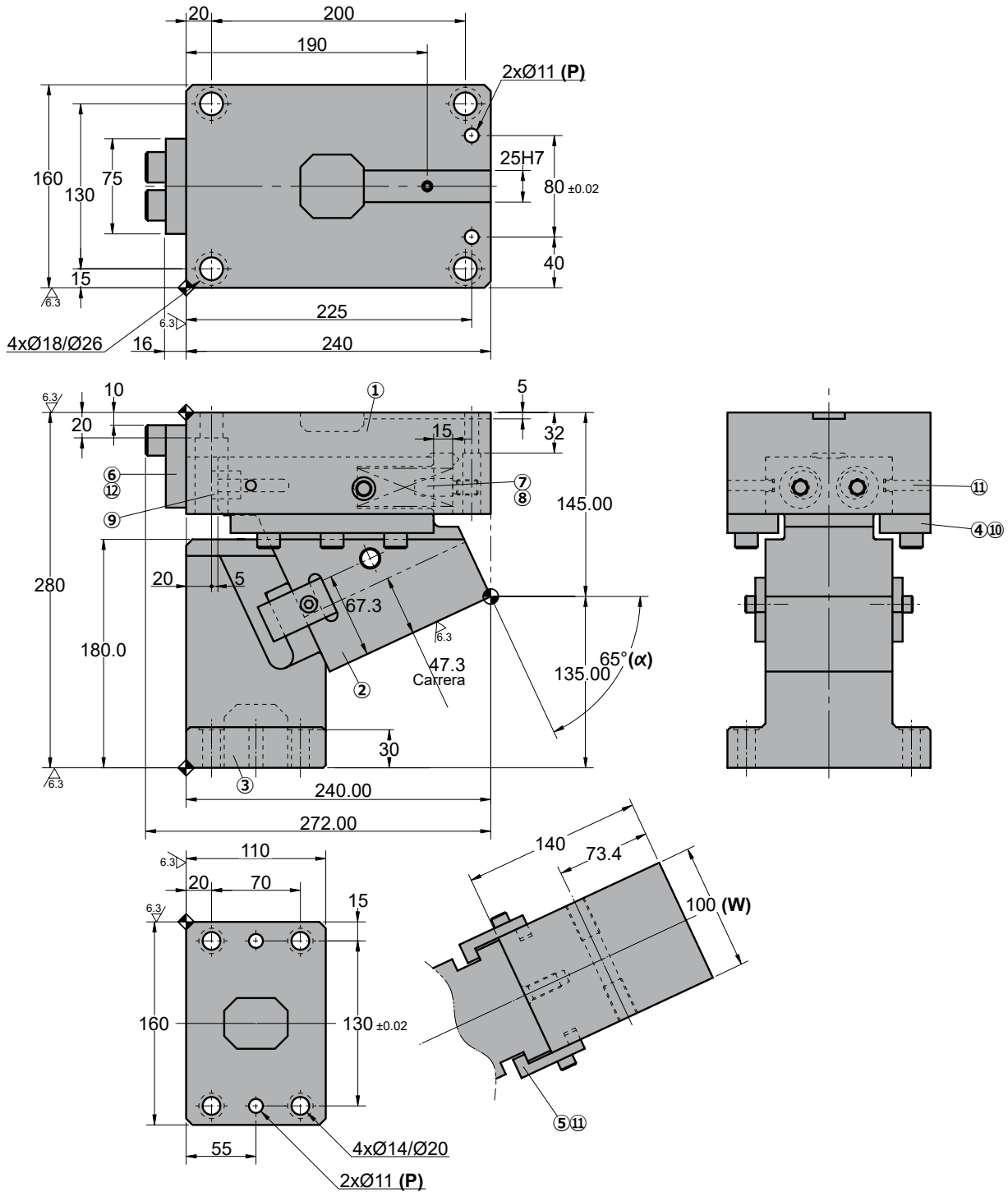
No.	Description	Qty.	Material
①	Cam Holder	1	GG25
②	Cam Slider	1	GGG50 + G
③	Cam Driver	1	GGG50 + G
④	Slider Plate	2	CK45 + G
⑤	Positive Return	2	CK45
⑥	Stopper Plate	1	CK45
⑦	Spring guide	2	CK45
⑧	Coil Spring	2	TM30-125
⑨	Cushioning Stopper	2	Urethane
⑩	Screw	6	M12 x 35
⑪	Screw	4	M8 x 25
⑫	Screw	2	M16 x 45

AUKE 0100

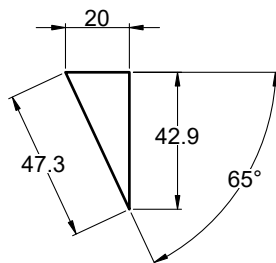
Aerial cam for pierce and flange



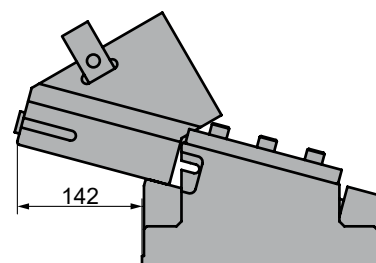
AUKE 0100 65



Cam diagram:



Disassembling space:





AUKE 0100

Aerial cam for pierce and flange

Stroke (mm)	Working force kN - (tons)		Spring Force N - (kgf)		Weight (Kg)	Model	W (mm)	α (mm)
	(1 Million Strokes)	(300.000 Strokes)	Initial F ₀	Final F ₁				
47.3	49.0 (5.0)	98.0 (10.0)	548.0 (55.9)	2741.5 (279.6)	43.0	AUKE	0100	65



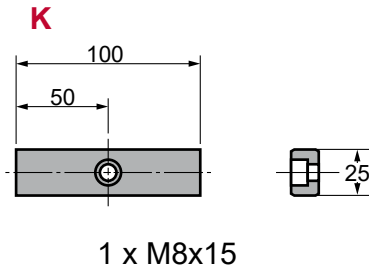
Order: Model (W) (α)
AUKE 0100 65

Standard order example according to catalog sheet. Add options applying options table contents.

OPTIONS

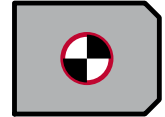
K

KEY



P PINS

Opcional diameters
Ø12H7 - Ø13H7



P13 - Ø13 H7.

PH13 - Ø13 H7. **only cam holder**

PD13 - Ø13 H7. **only cam driver**

Order Options: Model (W) (α)-Option



AUKE 0100 65-K

AUKE 0100 65-P13

AUKE 0100 65-P13-K



SPARE PARTS:

⑧ Coil Spring

COMPONENTS

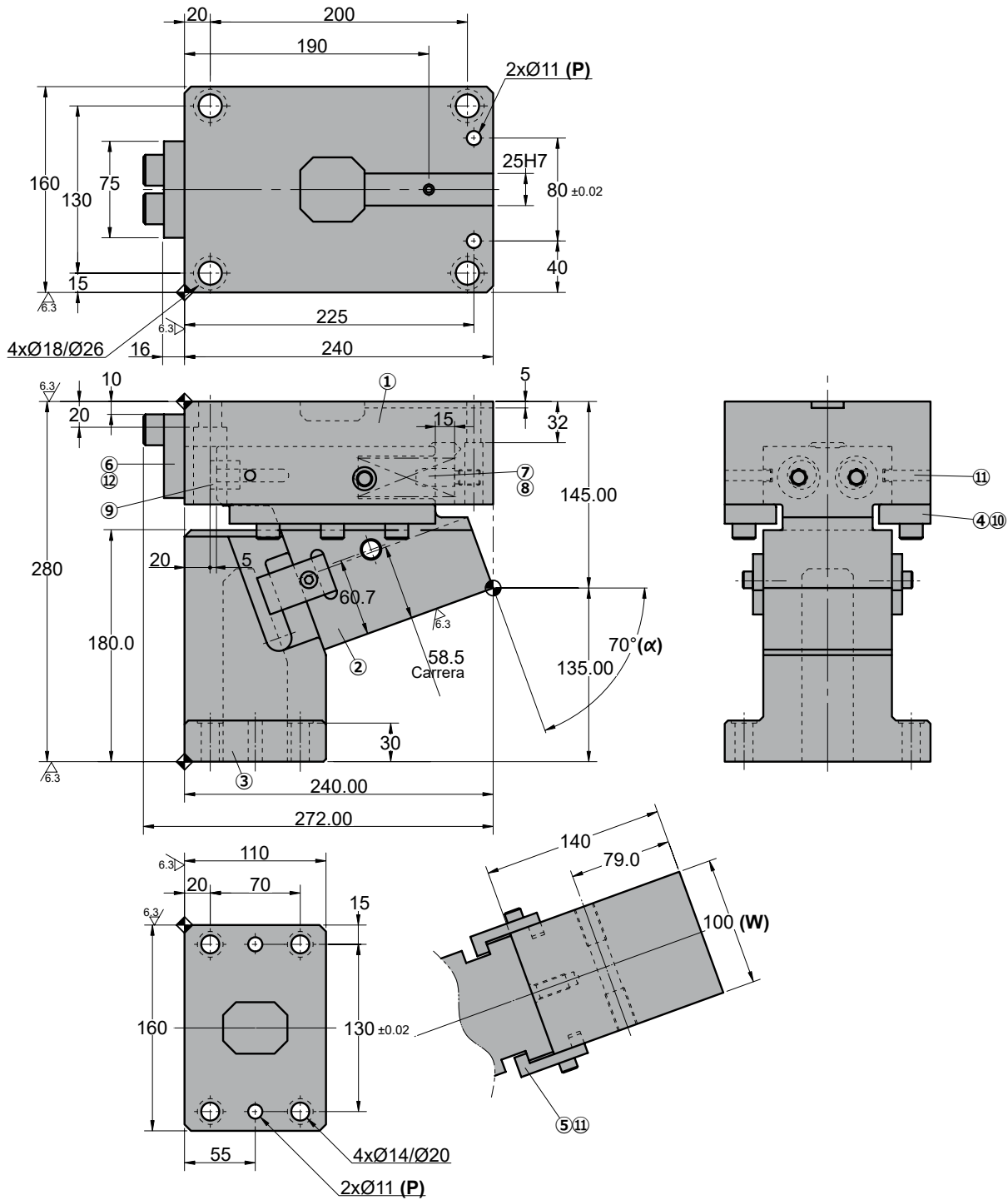
No.	Description	Qty.	Material
①	Cam Holder	1	GG25
②	Cam Slider	1	GGG50 + G
③	Cam Driver	1	GGG50 + G
④	Slider Plate	2	CK45 + G
⑤	Positive Return	2	CK45
⑥	Stopper Plate	1	CK45
⑦	Spring guide	2	CK45
⑧	Coil Spring	2	TM30-100
⑨	Cushioning Stopper	2	Urethane
⑩	Screw	6	M12 x 35
⑪	Screw	4	M8 x 25
⑫	Screw	2	M16 x 45

AUKE 0100

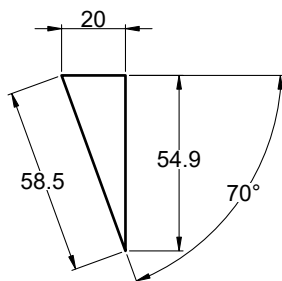
Aerial cam for pierce and flange



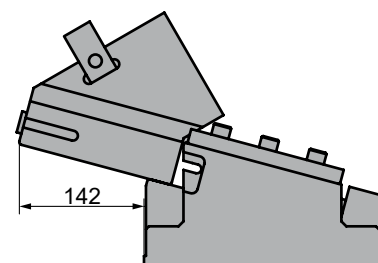
AUKE 0100 70



◦Cam diagram:



◦Disassembling space:





AUKE 0100

Aerial cam for pierce and flange

Stroke (mm)	Working force kN - (tons)		Spring Force N - (kgf)		Weight (Kg)	Model	W (mm)	α (mm)
	(1 Million Strokes)	(300.000 Strokes)	Initial F ₀	Final F ₁				
58.5	49.0 (5.0)	98.0 (10.0)	548.0 (55.9)	2741.5 (279.6)	41.8	AUKE	0100	70



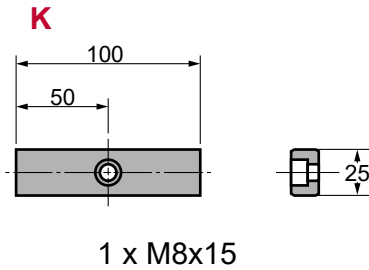
Order: Model (W) (α)
AUKE 0100 70

Standard order example according to catalog sheet. Add options applying options table contents.

OPTIONS

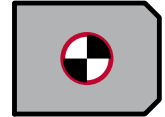
K

KEY



P PINS

Opcional diameters
Ø12H7 - Ø13H7



P13 - Ø13 H7.

PH13 - Ø13 H7. **only cam holder**

PD13 - Ø13 H7. **only cam driver**

Order Options: Model (W) (α)-Option



AUKE 0100 70-K

AUKE 0100 70-P13

AUKE 0100 70-P13-K



SPARE PARTS:

⑧ Coil Spring

COMPONENTS

No.	Description	Qty.	Material
①	Cam Holder	1	GG25
②	Cam Slider	1	GGG50 + G
③	Cam Driver	1	GGG50 + G
④	Slider Plate	2	CK45 + G
⑤	Positive Return	2	CK45
⑥	Stopper Plate	1	CK45
⑦	Spring guide	2	CK45
⑧	Coil Spring	2	TM30-100
⑨	Cushioning Stopper	2	Urethane
⑩	Screw	6	M12 x 35
⑪	Screw	4	M8 x 25
⑫	Screw	2	M16 x 45

AUKE 0100

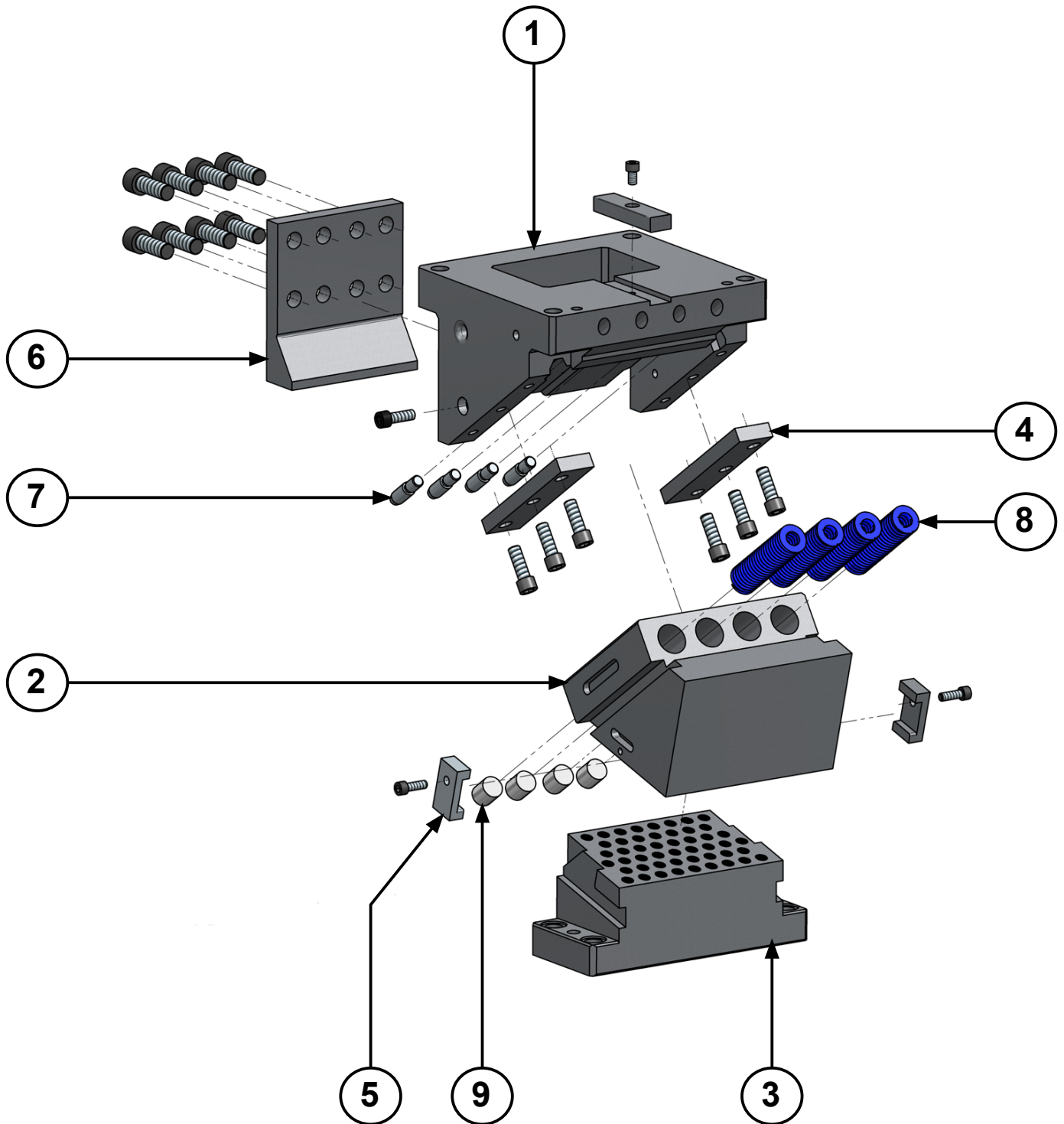


Aerial cam for pierce and flange



AUKE 0200

Aerial cam for pierce and flange

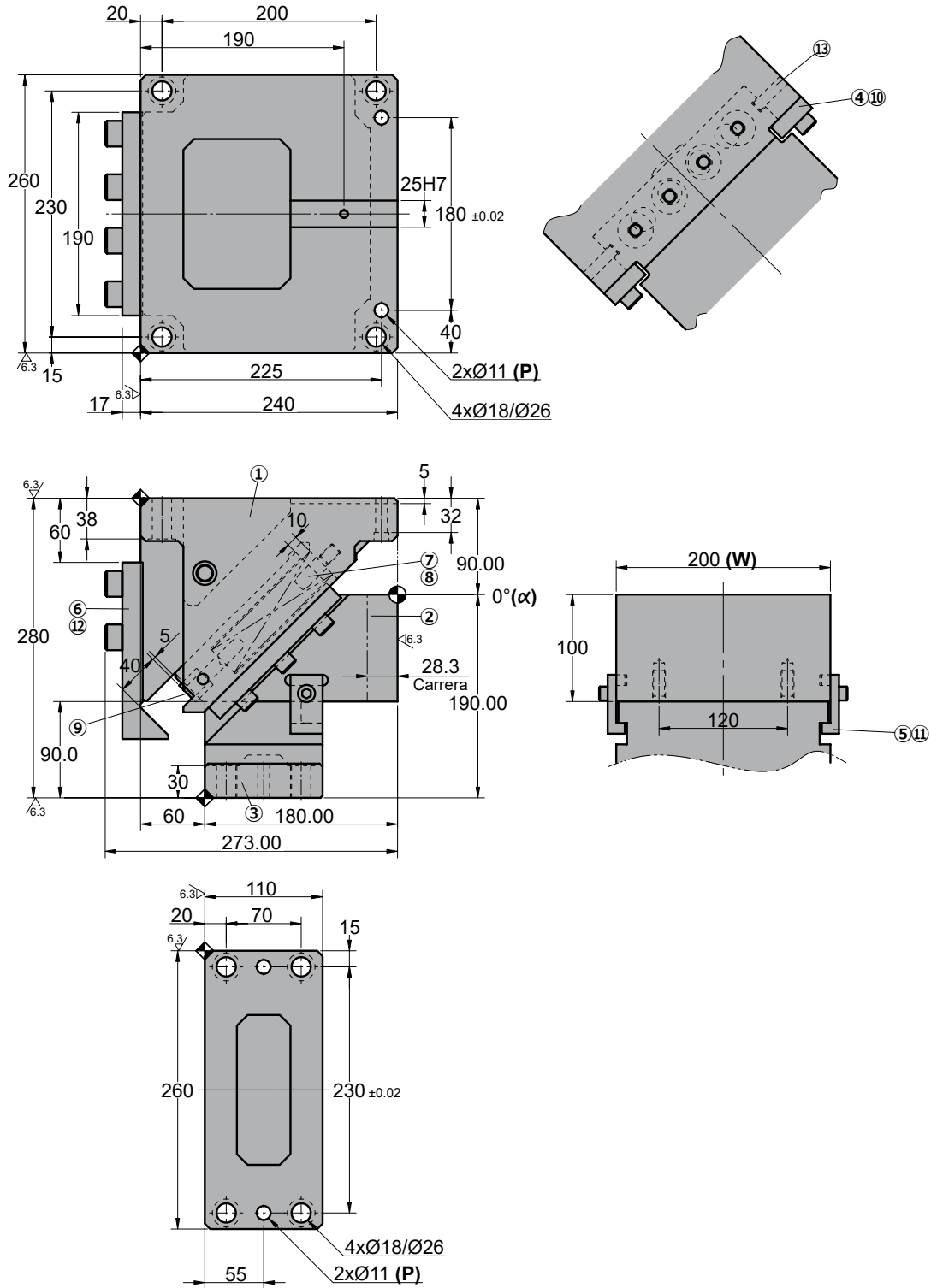


AUKE 0200

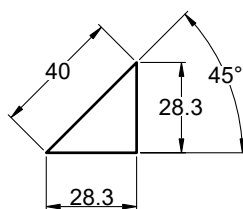
Aerial cam for pierce and flange



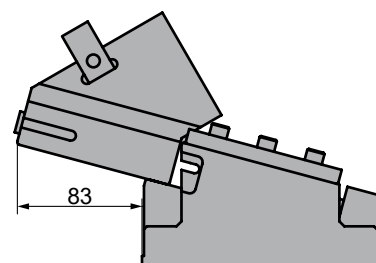
AUKE 0200 00



Cam diagram:



Disassembling space:





AUKE 0200

Aerial cam for pierce and flange

Stroke (mm)	Working force kN - (tons)		Spring Force N - (kgf)		Weight (Kg)	Model	W (mm)	α (mm)
	(1 Million Strokes)	(300.000 Strokes)	Initial F ₀	Final F ₁				
28.3	98.1 (10.0)	196.2 (20.0)	626.0 (63.8)	5639.4 (575.1)	81.5	AUKE	0200	00



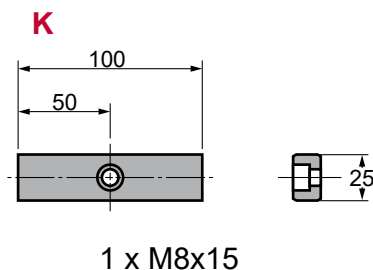
Order: Model (W) (α)
AUKE 0200 00

Standard order example according to catalog sheet. Add options applying options table contents.

OPTIONS

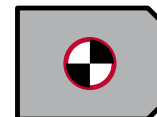
K

KEY



P PINS

Opcional diameters
Ø12H7 - Ø13H7 - Ø16H7



- P16** - Ø16 H7.
- PH16** - Ø16 H7. **only cam holder**
- PD16** - Ø16 H7. **only cam driver**

Order Options: Model (W) (α)-Option



AUKE 0200 00-K
AUKE 0200 00-P16
AUKE 0200 00-P16-K



SPARE PARTS:

⑧ Coil Spring

COMPONENTS

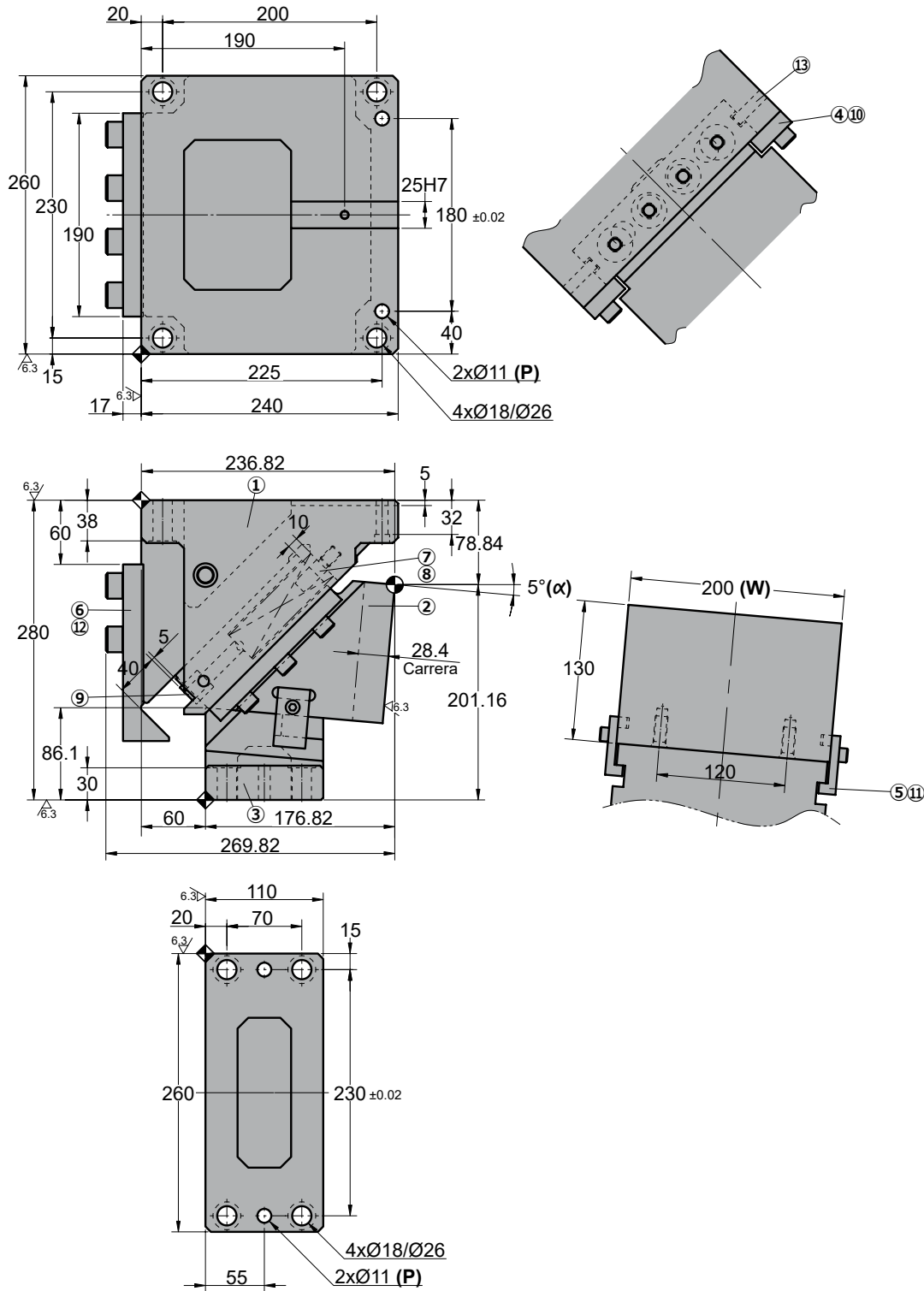
No.	Description	Qty.	Material
①	Cam Holder	1	GG25
②	Cam Slider	1	GGG50 + G
③	Cam Driver	1	GGG50 + G
④	Slider Plate	2	CK45 + G
⑤	Positive Return	2	CK45
⑥	Stopper Plate	1	CK45
⑦	Spring guide	4	CK45
⑧	Coil Spring	4	TM30-175
⑨	Cushioning Stopper	4	Urethane
⑩	Screw	6	M12 x 35
⑪	Screw	2	M8 x 25
⑫	Screw	8	M16 x 45
⑬	Screw	2	M10 x 25

AUKE 0200

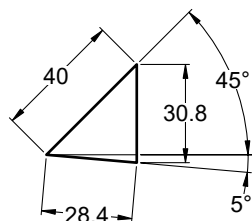
Aerial cam for pierce and flange



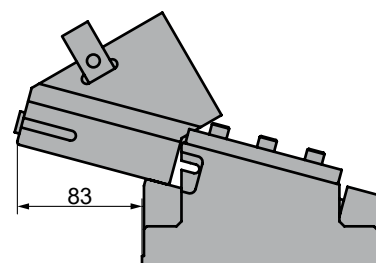
AUKE 0200 05



Cam diagram:



Disassembling space:





AUKE 0200

Aerial cam for pierce and flange

Stroke (mm)	Working force kN - (tons)		Spring Force N - (kgf)		Weight (Kg)	Model	W (mm)	α (mm)
	(1 Million Strokes)	(300.000 Strokes)	Initial F ₀	Final F ₁				
28.4	98.1 (10.0)	196.2 (20.0)	292.8 (29.8)	6140.4 (621.1)	82.3	AUKE	0200	05



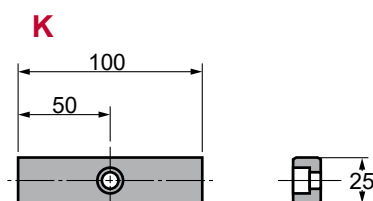
Order: Model (W) (α)
AUKE 0200 05

Standard order example according to catalog sheet. Add options applying options table contents.

OPTIONS

K

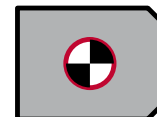
KEY



1 x M8x15

P PINS

Opcional diameters
Ø12H7 - Ø13H7 - Ø16H7



- P16** - Ø16 H7.
- PH16** - Ø16 H7. **only cam holder**
- PD16** - Ø16 H7. **only cam driver**

Order Options: Model (W) (α)-Option



- AUKE 0200 05-K**
- AUKE 0200 05-P16**
- AUKE 0200 05-P16-K**



SPARE PARTS:

- ⑧ Coil Spring

COMPONENTS

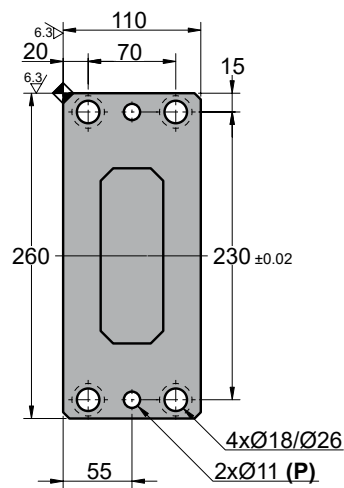
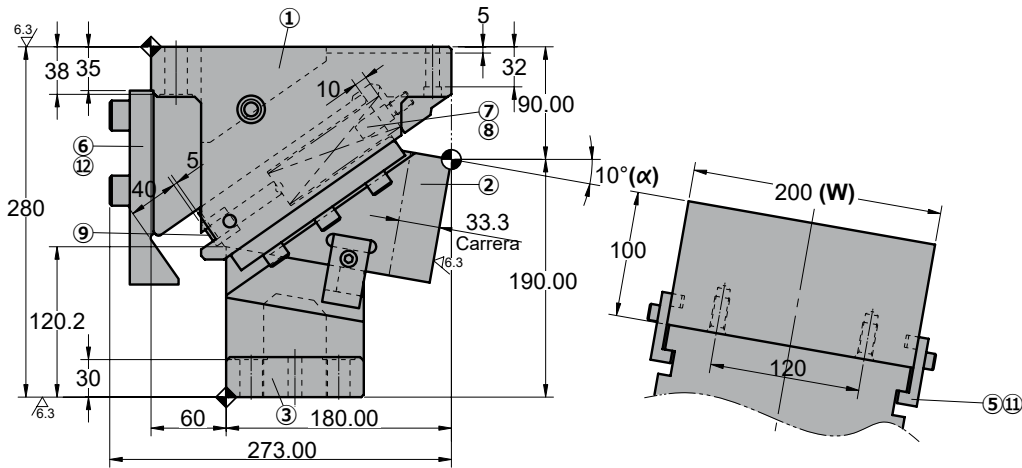
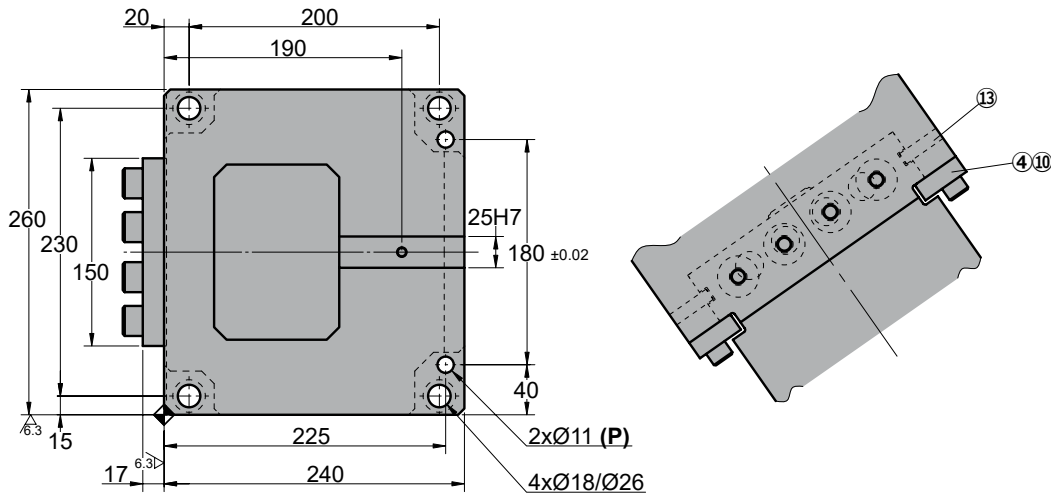
No.	Description	Qty.	Material
①	Cam Holder	1	GG25
②	Cam Slider	1	GGG50 + G
③	Cam Driver	1	GGG50 + G
④	Slider Plate	2	CK45 + G
⑤	Positive Return	2	CK45
⑥	Stopper Plate	1	CK45
⑦	Spring guide	4	CK45
⑧	Coil Spring	4	TM30-150
⑨	Cushioning Stopper	4	Urethane
⑩	Screw	6	M12 x 35
⑪	Screw	2	M8 x 25
⑫	Screw	8	M16 x 45
⑬	Screw	2	M10 x 25

AUKE 0200

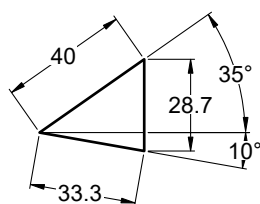
Aerial cam for pierce and flange



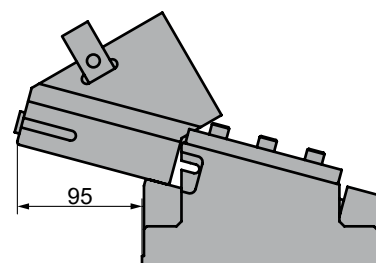
AUKE 0200 10



Cam diagram:



Disassembling space:





AUKE 0200

Aerial cam for pierce and flange

Stroke (mm)	Working force kN - (tons)		Spring Force N - (kgf)		Weight (Kg)	Model	W (mm)	α (mm)
	(1 Million Strokes)	(300.000 Strokes)	Initial F ₀	Final F ₁				
33.3	98.1 (10.0)	196.2 (20.0)	292.8 (29.8)	6140.4 (621.1)	75.7	AUKE	0200	10



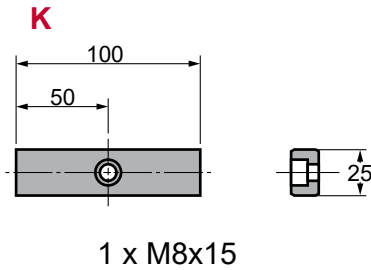
Order: Model (W) (α)
AUKE 0200 10

Standard order example according to catalog sheet. Add options applying options table contents.

OPTIONS

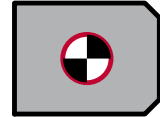
K

KEY



P PINS

Opcional diameters
Ø12H7 - Ø13H7 - Ø16H7



- P16** - Ø16 H7.
- PH16** - Ø16 H7. **only cam holder**
- PD16** - Ø16 H7. **only cam driver**

Order Options: Model (W) (α)-Option



- AUKE 0200 10-K**
- AUKE 0200 10-P16**
- AUKE 0200 10-P16-K**



SPARE PARTS:

- ⑧ Coil Spring

COMPONENTS

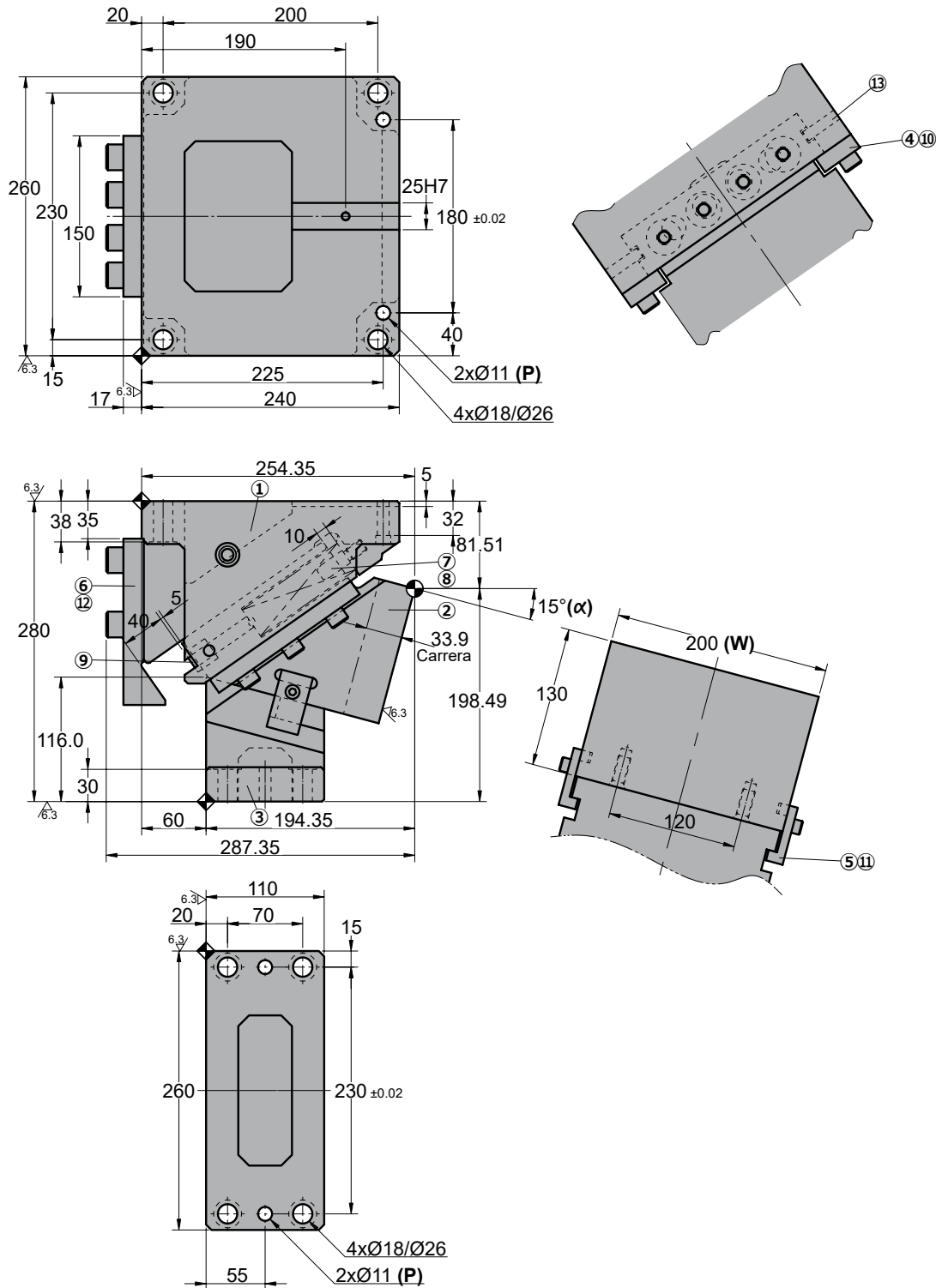
No.	Description	Qty.	Material
①	Cam Holder	1	GG25
②	Cam Slider	1	GGG50 + G
③	Cam Driver	1	GGG50 + G
④	Slider Plate	2	CK45 + G
⑤	Positive Return	2	CK45
⑥	Stopper Plate	1	CK45
⑦	Spring guide	4	CK45
⑧	Coil Spring	4	TM30-150
⑨	Cushioning Stopper	4	Urethane
⑩	Screw	6	M12 x 35
⑪	Screw	2	M8 x 25
⑫	Screw	8	M16 x 45
⑬	Screw	2	M10 x 25

AUKE 0200

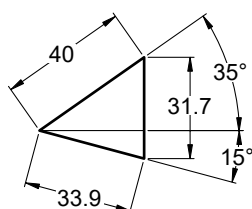
Aerial cam for pierce and flange



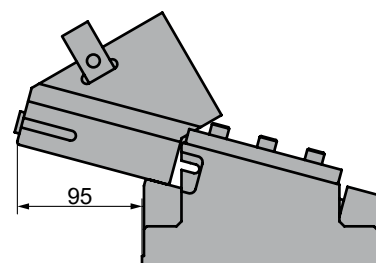
AUKE 0200 15



◦Cam diagram:



◦Disassembling space:

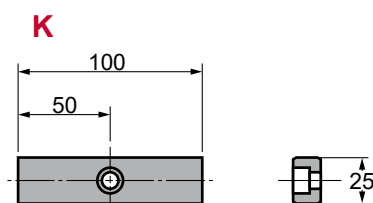


Stroke (mm)	Working force kN - (tons)		Spring Force N - (kgf)		Weight (Kg)	Model	W (mm)	α (mm)
	(1 Million Strokes)	(300.000 Strokes)	Initial F ₀	Final F ₁				
33.9	98.1 (10.0)	196.2 (20.0)	292.8 (29.8)	6140.4 (621.1)	80.5	AUKE	0200	15



Order: Model (W) (α)
AUKE 0200 15

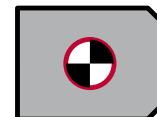
Standard order example according to catalog sheet.
Add options applying options table contents.

OPTIONS**K****KEY**

1 x M8x15

P PINS

Opcional diameters
Ø12H7 - Ø13H7 - Ø16H7

**P16** - Ø16 H7.**PH16** - Ø16 H7. only cam holder**PD16** - Ø16 H7. only cam driver**Order Options: Model (W) (α)-Option****AUKE 0200 15-K****AUKE 0200 15-P16****AUKE 0200 15-P16-K****SPARE PARTS:**

⑧ Coil Spring

COMPONENTS

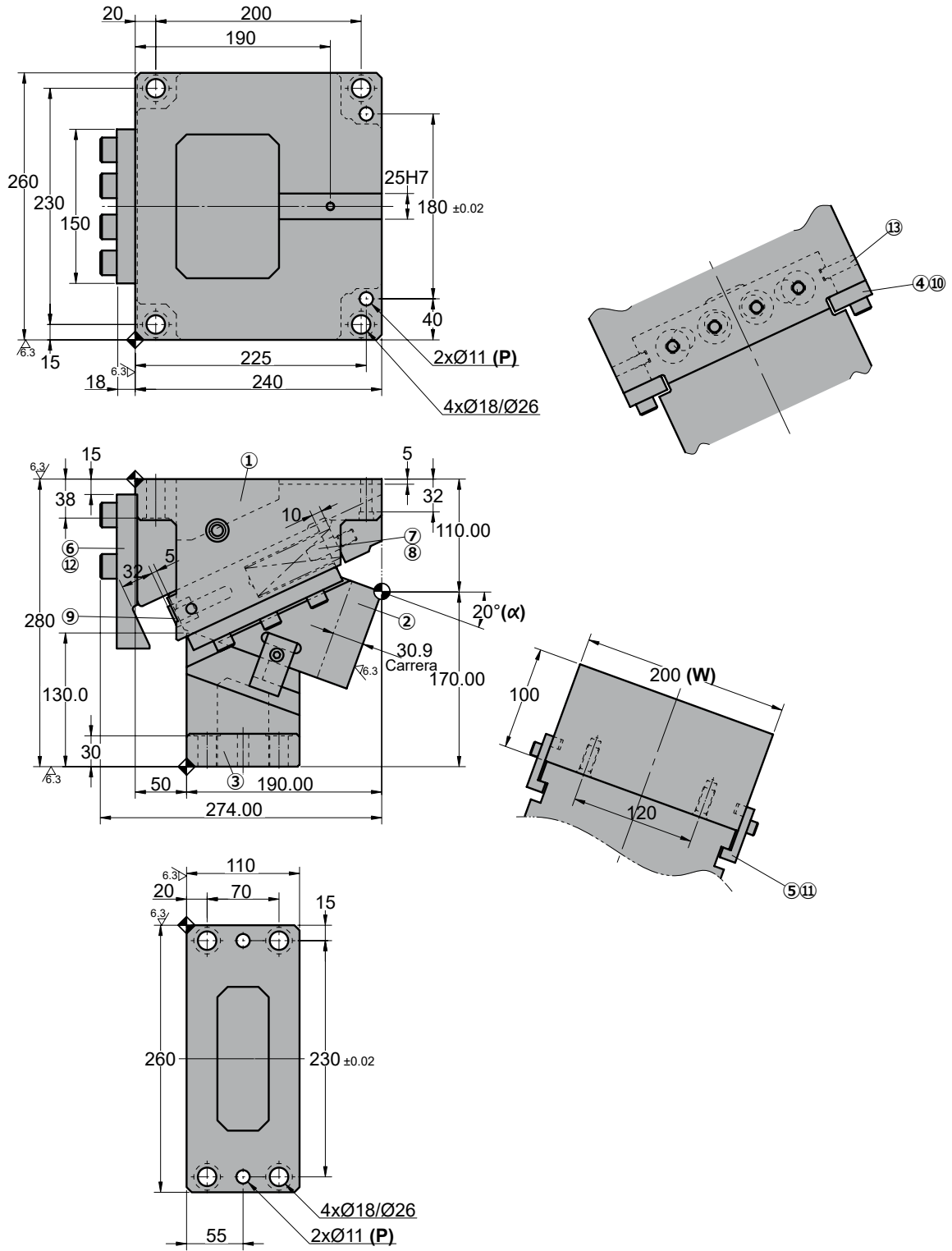
No.	Description	Qty.	Material
①	Cam Holder	1	GG25
②	Cam Slider	1	GGG50 + G
③	Cam Driver	1	GGG50 + G
④	Slider Plate	2	CK45 + G
⑤	Positive Return	2	CK45
⑥	Stopper Plate	1	CK45
⑦	Spring guide	4	CK45
⑧	Coil Spring	4	TM30-150
⑨	Cushioning Stopper	4	Urethane
⑩	Screw	6	M12 x 35
⑪	Screw	2	M8 x 25
⑫	Screw	8	M16 x 45
⑬	Screw	2	M10 x 25

AUKE 0200

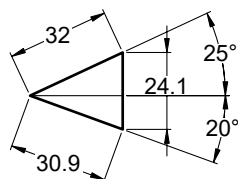
Aerial cam for pierce and flange



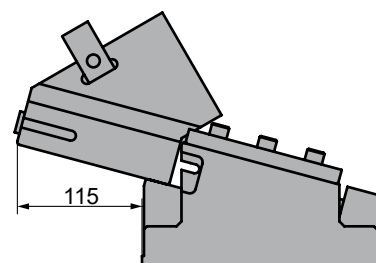
AUKE 0200 20



◦Cam diagram:



◦Disassembling space:





AUKE 0200

Aerial cam for pierce and flange

Stroke (mm)	Working force kN - (tons)		Spring Force N - (kgf)		Weight (Kg)	Model	W (mm)	α (mm)
	(1 Million Strokes)	(300.000 Strokes)	Initial F ₀	Final F ₁				
30.9	98.1 (10.0)	196.2 (20.0)	350.4 (35.8)	5965.0 (608.3)	76.1	AUKE	0200	20



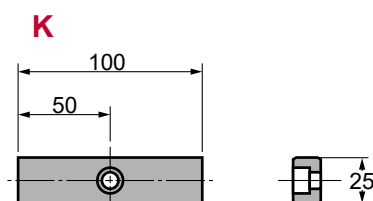
Order: Model (W) (α)
AUKE 0200 20

Standard order example according to catalog sheet.
 Add options applying options table contents.

OPTIONS

K

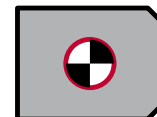
KEY



1 x M8x15

P PINS

Opcional diameters
Ø12H7 - Ø13H7 - Ø16H7



- P16** - Ø16 H7.
- PH16** - Ø16 H7. **only cam holder**
- PD16** - Ø16 H7. **only cam driver**

Order Options: Model (W) (α)-Option



- AUKE 0200 20-K**
- AUKE 0200 20-P16**
- AUKE 0200 20-P16-K**



SPARE PARTS:

- ⑧ Coil Spring

COMPONENTS

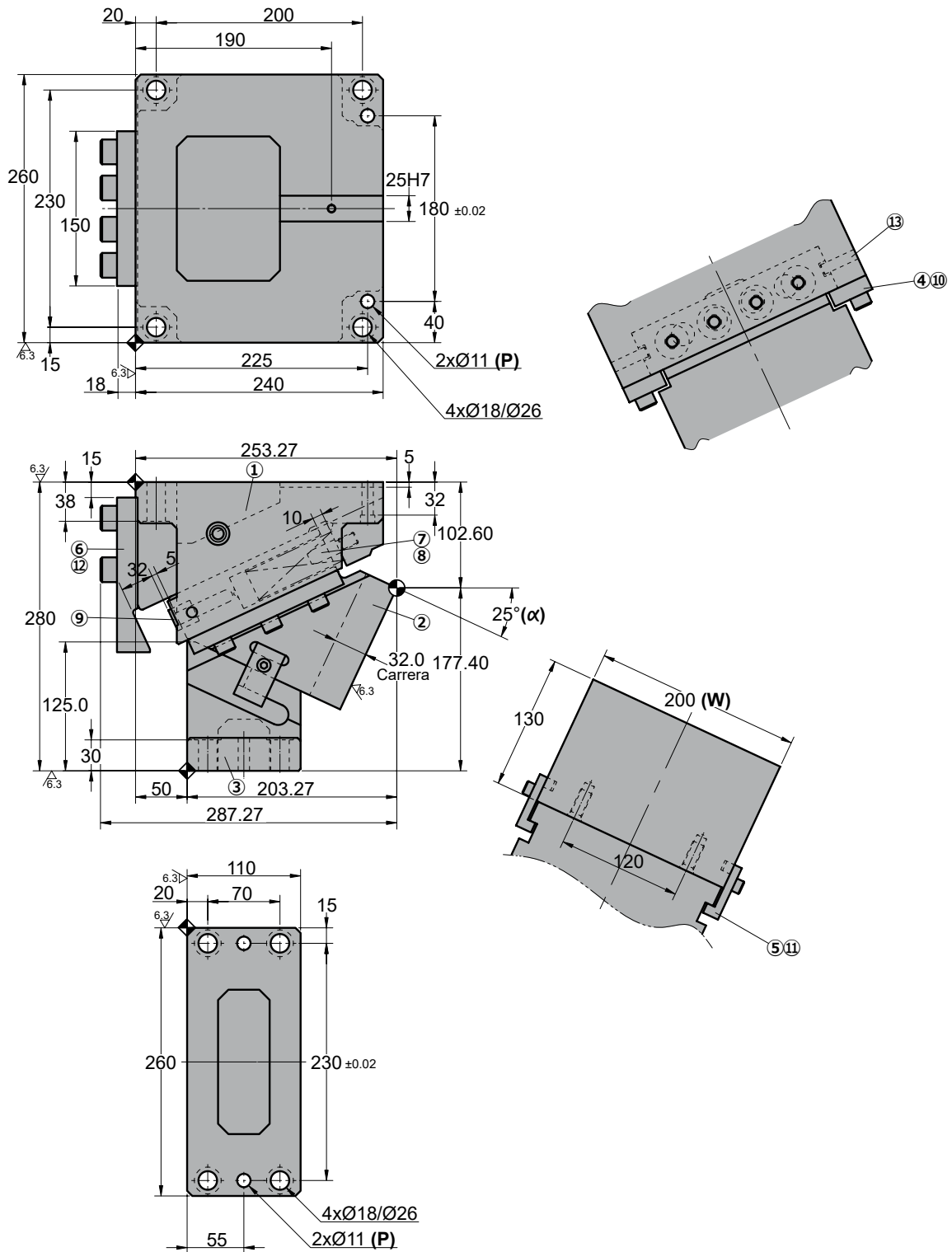
No.	Description	Qty.	Material
①	Cam Holder	1	GG25
②	Cam Slider	1	GGG50 + G
③	Cam Driver	1	GGG50 + G
④	Slider Plate	2	CK45 + G
⑤	Positive Return	2	CK45
⑥	Stopper Plate	1	CK45
⑦	Spring guide	4	CK45
⑧	Coil Spring	4	TM30-125
⑨	Cushioning Stopper	4	Urethane
⑩	Screw	6	M12 x 35
⑪	Screw	2	M8 x 25
⑫	Screw	8	M16 x 45
⑬	Screw	2	M10 x 25

AUKE 0200

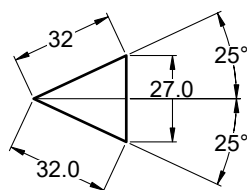
Aerial cam for pierce and flange



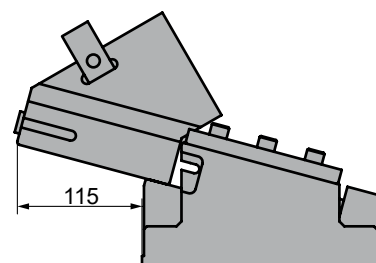
AUKE 0200 25



◦Cam diagram:



◦Disassembling space:





AUKE 0200

Aerial cam for pierce and flange

Stroke (mm)	Working force kN - (tons)		Spring Force N - (kgf)		Weight (Kg)	Model	W (mm)	α (mm)
	(1 Million Strokes)	(300.000 Strokes)	Initial F ₀	Final F ₁				
32.0	98.1 (10.0)	196.2 (20.0)	350.4 (35.8)	5965.0 (608.3)	80.1	AUKE	0200	25



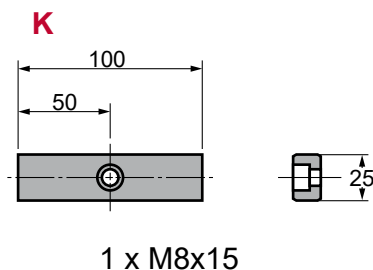
Order: Model (W) (α)
AUKE 0200 25

Standard order example according to catalog sheet. Add options applying options table contents.

OPTIONS

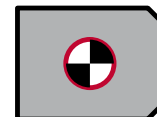
K

KEY



P PINS

Opcional diameters
Ø12H7 - Ø13H7 - Ø16H7



- P16** - Ø16 H7.
- PH16** - Ø16 H7. **only cam holder**
- PD16** - Ø16 H7. **only cam driver**

Order Options: Model (W) (α)-Option



- AUKE 0200 25-K**
- AUKE 0200 25-P16**
- AUKE 0200 25-P16-K**



SPARE PARTS:

- ⑧ Coil Spring

COMPONENTS

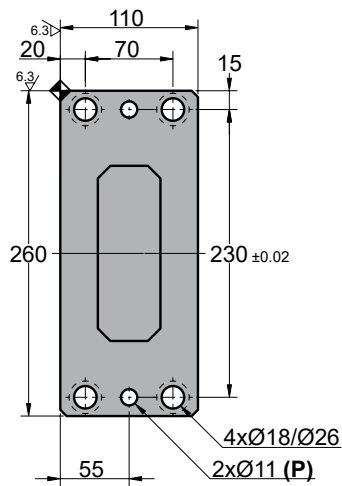
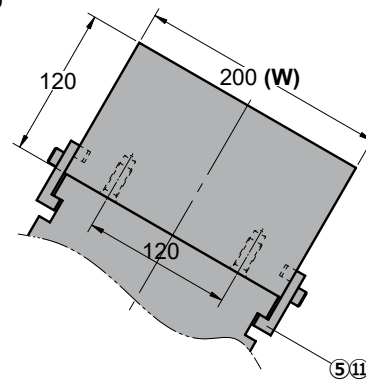
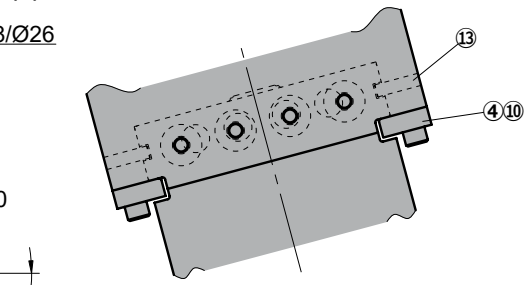
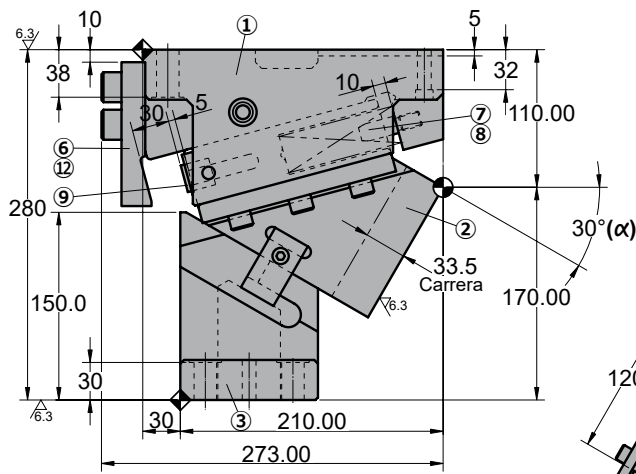
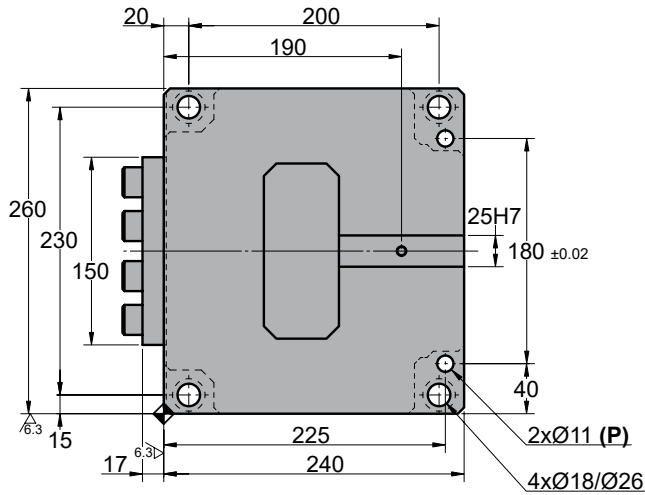
No.	Description	Qty.	Material
①	Cam Holder	1	GG25
②	Cam Slider	1	GGG50 + G
③	Cam Driver	1	GGG50 + G
④	Slider Plate	2	CK45 + G
⑤	Positive Return	2	CK45
⑥	Stopper Plate	1	CK45
⑦	Spring guide	4	CK45
⑧	Coil Spring	4	TM30-125
⑨	Cushioning Stopper	4	Urethane
⑩	Screw	6	M12 x 35
⑪	Screw	2	M8 x 25
⑫	Screw	8	M16 x 45
⑬	Screw	2	M10 x 25

AUKE 0200

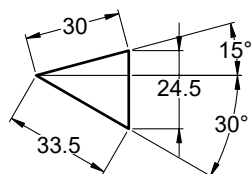
Aerial cam for pierce and flange



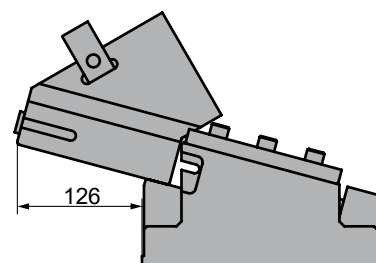
AUKE 0200 30



Cam diagram:



Disassembling space:





AUKE 0200

Aerial cam for pierce and flange

Stroke (mm)	Working force kN - (tons)		Spring Force N - (kgf)		Weight (Kg)	Model	W (mm)	α (mm)
	(1 Million Strokes)	(300.000 Strokes)	Initial F ₀	Final F ₁				
33.5	98.1 (10.0)	196.2 (20.0)	350.4 (35.8)	5614.1 (572.5)	77.0	AUKE	0200	30



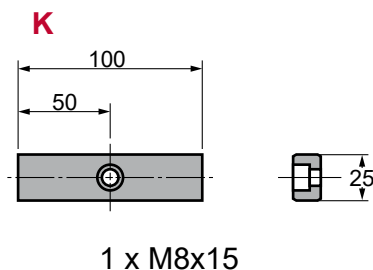
Order: Model (W) (α)
AUKE 0200 30

Standard order example according to catalog sheet. Add options applying options table contents.

OPTIONS

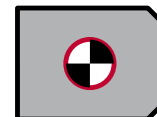
K

KEY



P PINS

Opcional diameters
Ø12H7 - Ø13H7 - Ø16H7



- P16** - Ø16 H7.
- PH16** - Ø16 H7. **only cam holder**
- PD16** - Ø16 H7. **only cam driver**

Order Options: Model (W) (α)-Option



- AUKE 0200 30-K**
- AUKE 0200 30-P16**
- AUKE 0200 30-P16-K**



SPARE PARTS:

- ⑧ Coil Spring

COMPONENTS

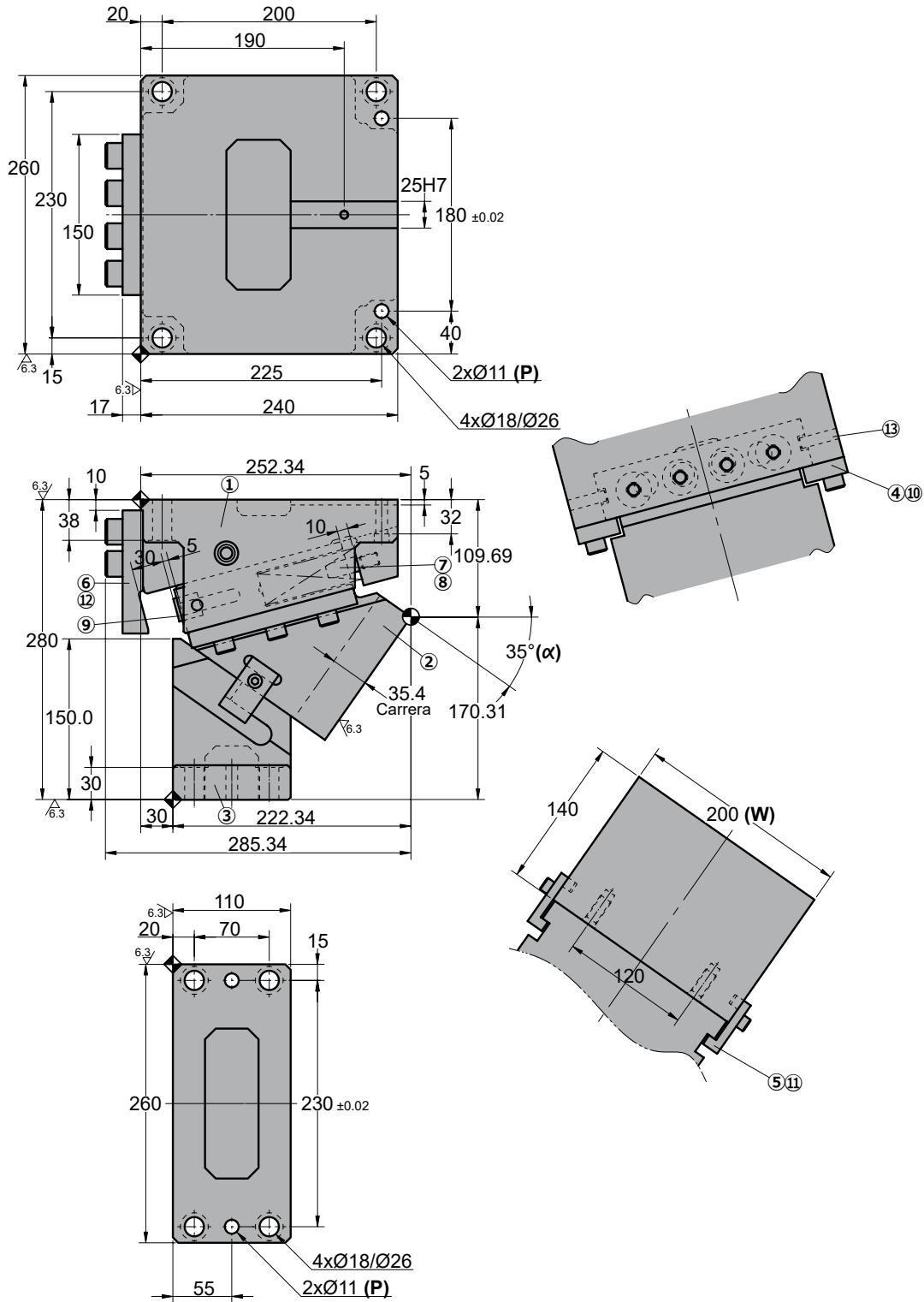
No.	Description	Qty.	Material
①	Cam Holder	1	GG25
②	Cam Slider	1	GGG50 + G
③	Cam Driver	1	GGG50 + G
④	Slider Plate	2	CK45 + G
⑤	Positive Return	2	CK45
⑥	Stopper Plate	1	CK45
⑦	Spring guide	4	CK45
⑧	Coil Spring	4	TM30-125
⑨	Cushioning Stopper	4	Urethane
⑩	Screw	6	M12 x 35
⑪	Screw	2	M8 x 25
⑫	Screw	8	M16 x 45
⑬	Screw	2	M10 x 25

AUKE 0200

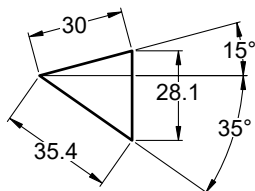
Aerial cam for pierce and flange



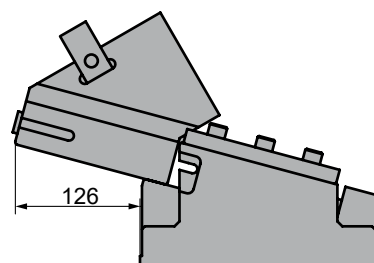
AUKE 0200 35



◦Cam diagram:



◦Disassembling space:





AUKE 0200

Aerial cam for pierce and flange

Stroke (mm)	Working force kN - (tons)		Spring Force N - (kgf)		Weight (Kg)	Model	W (mm)	α (mm)
	(1 Million Strokes)	(300.000 Strokes)	Initial F ₀	Final F ₁				
35.4	98.1 (10.0)	196.2 (20.0)	350.4 (35.8)	5614.1 (572.5)	80.9	AUKE	0200	35



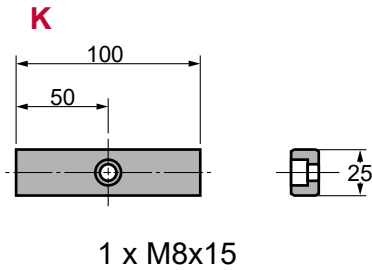
Order: Model (W) (α)
AUKE 0200 35

Standard order example according to catalog sheet. Add options applying options table contents.

OPTIONS

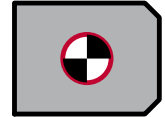
K

KEY



P PINS

Opcional diameters
Ø12H7 - Ø13H7 - Ø16H7



P16 - Ø16 H7.

PH16 - Ø16 H7. **only cam holder**

PD16 - Ø16 H7. **only cam driver**

Order Options: Model (W) (α)-Option



AUKE 0200 35-K

AUKE 0200 35-P16

AUKE 0200 35-P16-K



SPARE PARTS:

⑧ Coil Spring

COMPONENTS

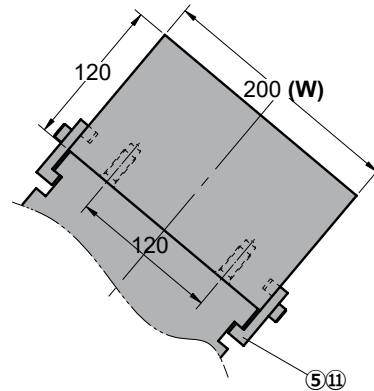
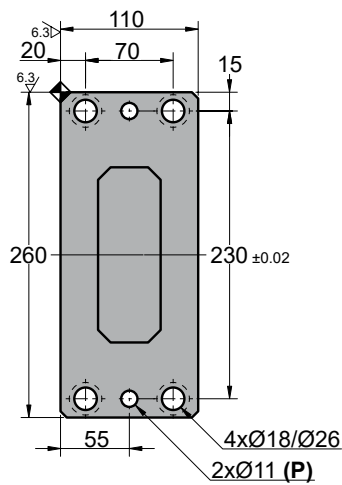
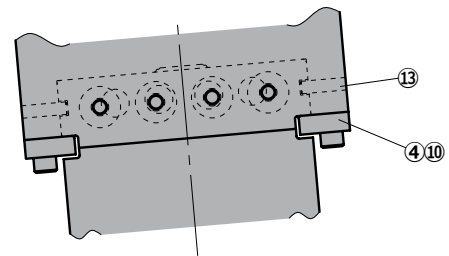
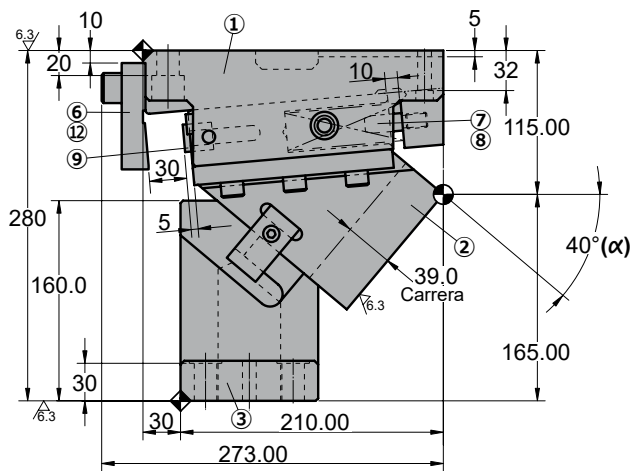
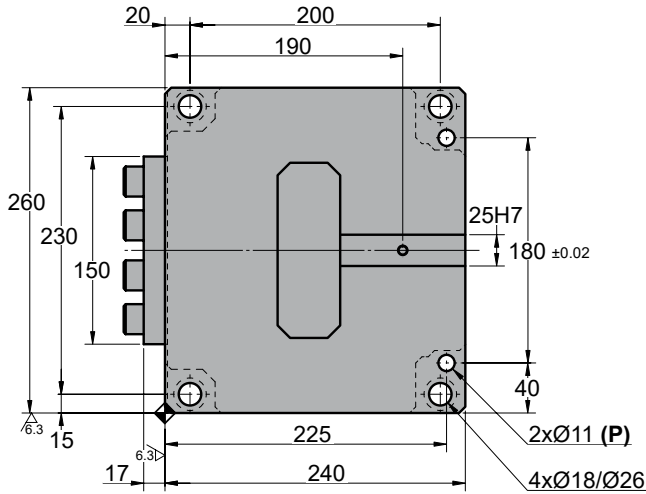
No.	Description	Qty.	Material
①	Cam Holder	1	GG25
②	Cam Slider	1	GGG50 + G
③	Cam Driver	1	GGG50 + G
④	Slider Plate	2	CK45 + G
⑤	Positive Return	2	CK45
⑥	Stopper Plate	1	CK45
⑦	Spring guide	4	CK45
⑧	Coil Spring	4	TM30-125
⑨	Cushioning Stopper	4	Urethane
⑩	Screw	6	M12 x 35
⑪	Screw	2	M8 x 25
⑫	Screw	8	M16 x 45
⑬	Screw	2	M10 x 25

AUKE 0200

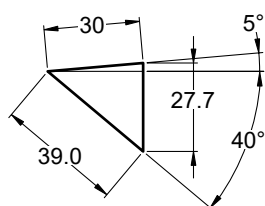
Aerial cam for pierce and flange



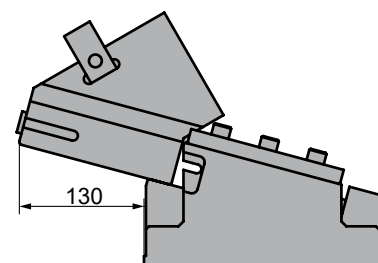
AUKE 0200 40



◦Cam diagram:



◦Disassembling space:





AUKE 0200

Aerial cam for pierce and flange

Stroke (mm)	Working force kN - (tons)		Spring Force N - (kgf)		Weight (Kg)	Model	W (mm)	α (mm)
	(1 Million Strokes)	(300.000 Strokes)	Initial F ₀	Final F ₁				
39.0	98.1 (10.0)	196.2 (20.0)	350.4 (35.8)	5614.1 (572.5)	71.4	AUKE	0200	40



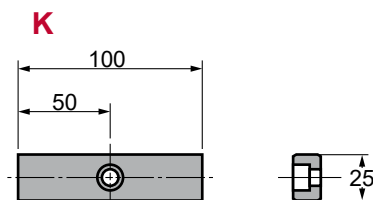
Order: Model (W) (α)
AUKE 0200 40

Standard order example according to catalog sheet. Add options applying options table contents.

OPTIONS

K

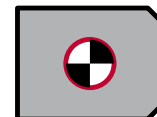
KEY



1 x M8x15

P PINS

Opcional diameters
Ø12H7 - Ø13H7 - Ø16H7



- P16** - Ø16 H7.
- PH16** - Ø16 H7. **only cam holder**
- PD16** - Ø16 H7. **only cam driver**

Order Options: Model (W) (α)-Option



- AUKE 0200 40-K**
- AUKE 0200 40-P16**
- AUKE 0200 40-P16-K**



SPARE PARTS:

- ⑧ Coil Spring

COMPONENTS

No.	Description	Qty.	Material
①	Cam Holder	1	GG25
②	Cam Slider	1	GGG50 + G
③	Cam Driver	1	GGG50 + G
④	Slider Plate	2	CK45 + G
⑤	Positive Return	2	CK45
⑥	Stopper Plate	1	CK45
⑦	Spring guide	4	CK45
⑧	Coil Spring	4	TM30-125
⑨	Cushioning Stopper	4	Urethane
⑩	Screw	6	M12 x 35
⑪	Screw	2	M8 x 25
⑫	Screw	4	M16 x 45
⑬	Screw	2	M10 x 25



AUKE 0200

Aerial cam for pierce and flange

Stroke (mm)	Working force kN - (tons)		Spring Force N - (kgf)		Weight (Kg)	Model	W (mm)	α (mm)
	(1 Million Strokes)	(300.000 Strokes)	Initial F ₀	Final F ₁				
42.3	98.1 (10.0)	196.2 (20.0)	350.4 (35.8)	5614.1 (572.5)	74.7	AUKE	0200	45



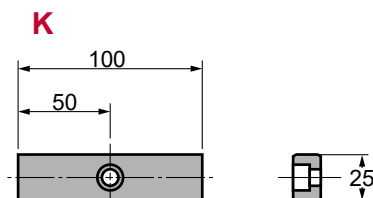
Order: Model (W) (α)
AUKE 0200 45

Standard order example according to catalog sheet.
 Add options applying options table contents.

OPTIONS

K

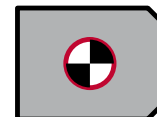
KEY



1 x M8x15

P PINS

Opcional diameters
Ø12H7 - Ø13H7 - Ø16H7



- P16** - Ø16 H7.
- PH16** - Ø16 H7. **only cam holder**
- PD16** - Ø16 H7. **only cam driver**

Order Options: Model (W) (α)-Option



- AUKE 0200 45-K**
- AUKE 0200 45-P16**
- AUKE 0200 45-P16-K**



SPARE PARTS:

- ⑧ Coil Spring

COMPONENTS

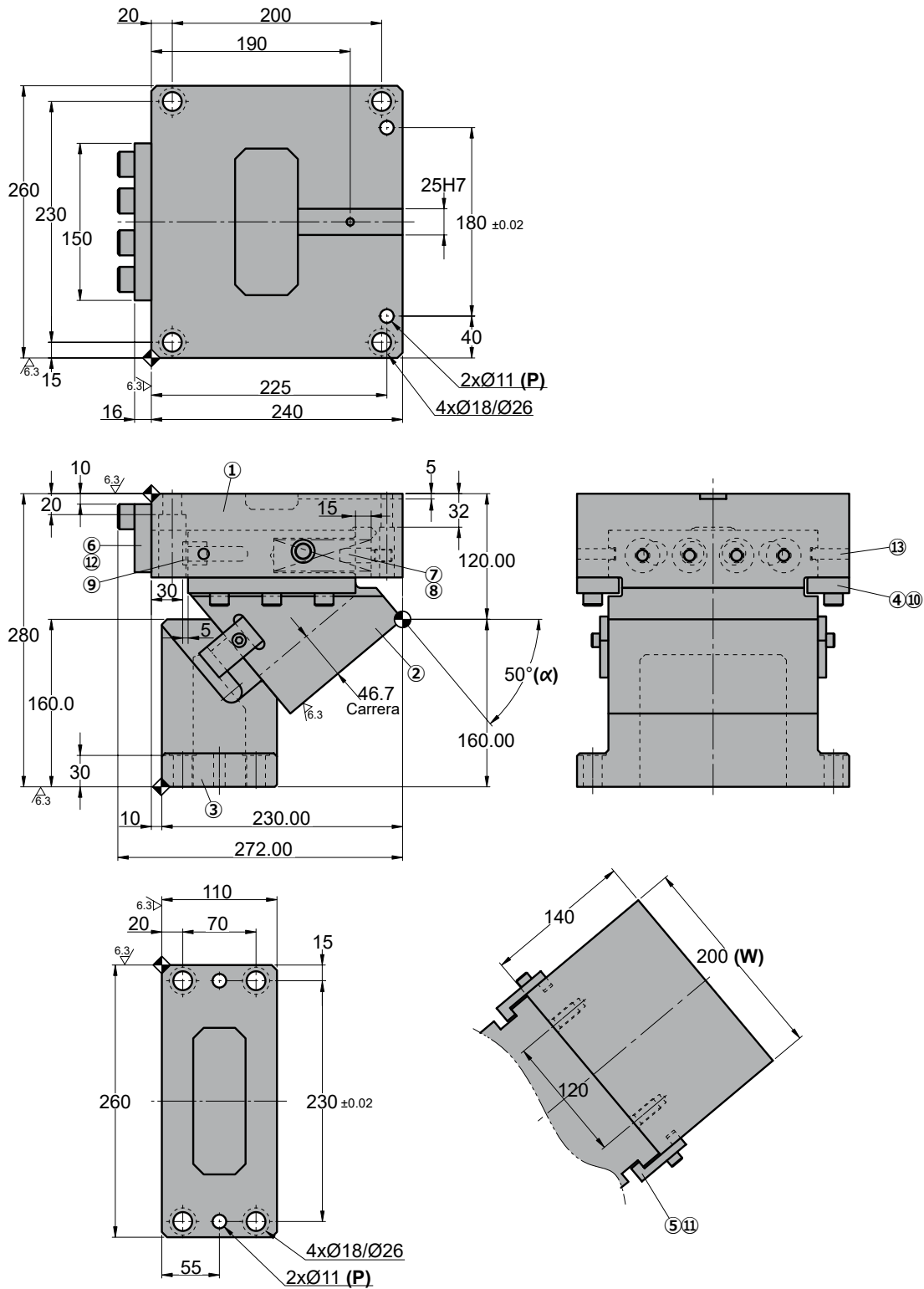
No.	Description	Qty.	Material
①	Cam Holder	1	GG25
②	Cam Slider	1	GGG50 + G
③	Cam Driver	1	GGG50 + G
④	Slider Plate	2	CK45 + G
⑤	Positive Return	2	CK45
⑥	Stopper Plate	1	CK45
⑦	Spring guide	4	CK45
⑧	Coil Spring	4	TM30-125
⑨	Cushioning Stopper	4	Urethane
⑩	Screw	6	M12 x 35
⑪	Screw	2	M8 x 25
⑫	Screw	4	M16 x 45
⑬	Screw	2	M10 x 25

AUKE 0200

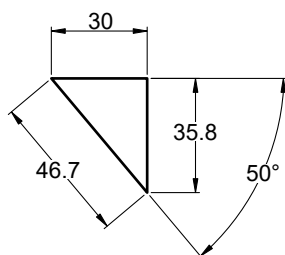
Aerial cam for pierce and flange



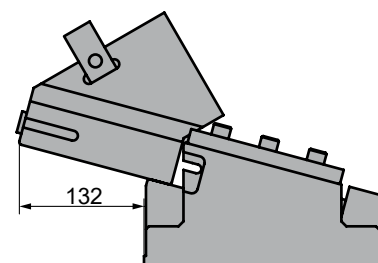
AUKE 0200 50



◦Cam diagram:



◦Disassembling space:





AUKE 0200

Aerial cam for pierce and flange

Stroke (mm)	Working force kN - (tons)		Spring Force N - (kgf)		Weight (Kg)	Model	W (mm)	α (mm)
	(1 Million Strokes)	(300.000 Strokes)	Initial F ₀	Final F ₁				
46.7	117.7 (12.0)	235.4 (24.0)	350.4 (35.8)	5614.1 (572.5)	71.6	AUKE	0200	50



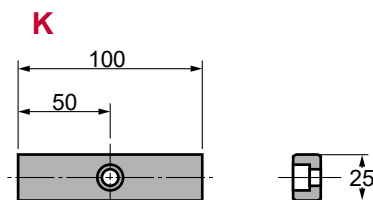
Order: Model (W) (α)
AUKE 0200 50

Standard order example according to catalog sheet. Add options applying options table contents.

OPTIONS

K

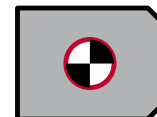
KEY



1 x M8x15

P PINS

Opcional diameters
Ø12H7 - Ø13H7 - Ø16H7



- P16** - Ø16 H7.
- PH16** - Ø16 H7. **only cam holder**
- PD16** - Ø16 H7. **only cam driver**

Order Options: Model (W) (α)-Option



- AUKE 0200 50-K**
- AUKE 0200 50-P16**
- AUKE 0200 50-P16-K**



SPARE PARTS:

- ⑧ Coil Spring

COMPONENTS

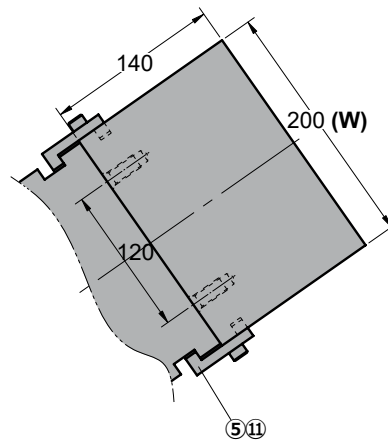
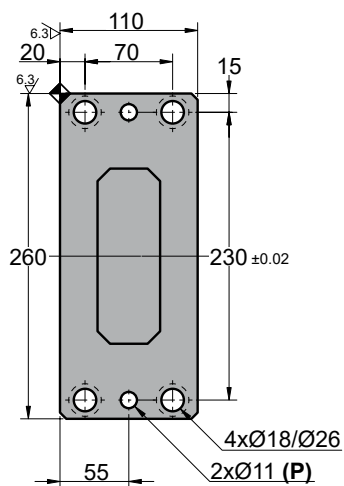
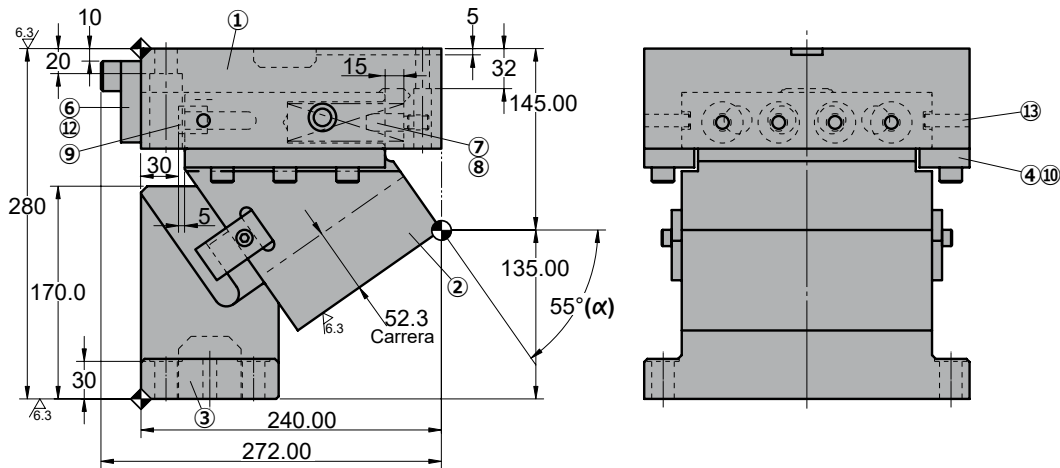
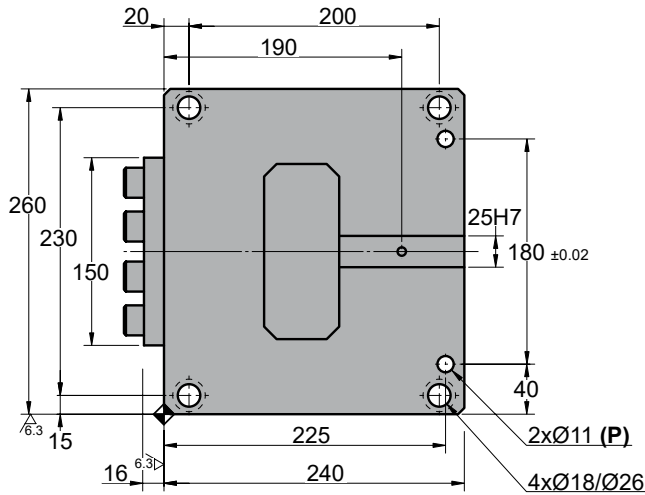
No.	Description	Qty.	Material
①	Cam Holder	1	GG25
②	Cam Slider	1	GGG50 + G
③	Cam Driver	1	GGG50 + G
④	Slider Plate	2	CK45 + G
⑤	Positive Return	2	CK45
⑥	Stopper Plate	1	CK45
⑦	Spring guide	4	CK45
⑧	Coil Spring	4	TM30-125
⑨	Cushioning Stopper	4	Urethane
⑩	Screw	6	M12 x 35
⑪	Screw	2	M8 x 25
⑫	Screw	4	M16 x 45
⑬	Screw	2	M10 x 25

AUKE 0200

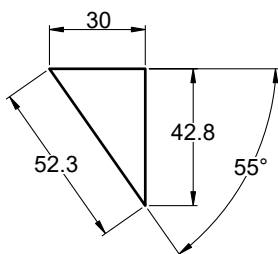
Aerial cam for pierce and flange



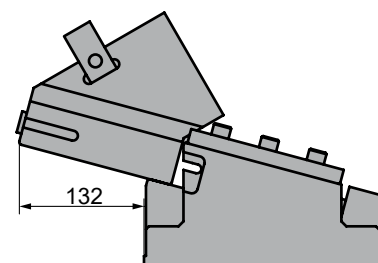
AUKE 0200 55



◦Cam diagram:



◦Disassembling space:





AUKE 0200

Aerial cam for pierce and flange

Stroke (mm)	Working force kN - (tons)		Spring Force N - (kgf)		Weight (Kg)	Model	W (mm)	α (mm)
	(1 Million Strokes)	(300.000 Strokes)	Initial F ₀	Final F ₁				
52.3	117.7 (12.0)	235.4 (24.0)	350.4 (35.8)	5614.1 (572.5)	78.6	AUKE	0200	55



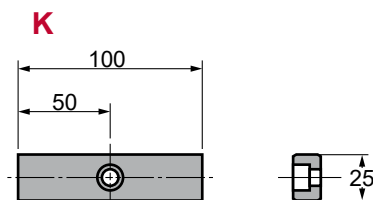
Order: Model (W) (α)
AUKE 0200 55

Standard order example according to catalog sheet. Add options applying options table contents.

OPTIONS

K

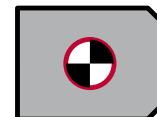
KEY



1 x M8x15

P PINS

Opcional diameters
Ø12H7 - Ø13H7 - Ø16H7



- P16** - Ø16 H7.
- PH16** - Ø16 H7. **only cam holder**
- PD16** - Ø16 H7. **only cam driver**

Order Options: Model (W) (α)-Option



- AUKE 0200 55-K**
- AUKE 0200 55-P16**
- AUKE 0200 55-P16-K**



SPARE PARTS:

- ⑧ Coil Spring

COMPONENTS

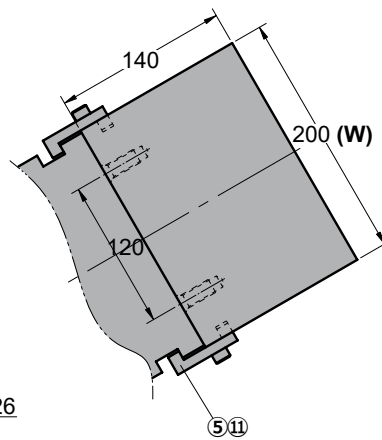
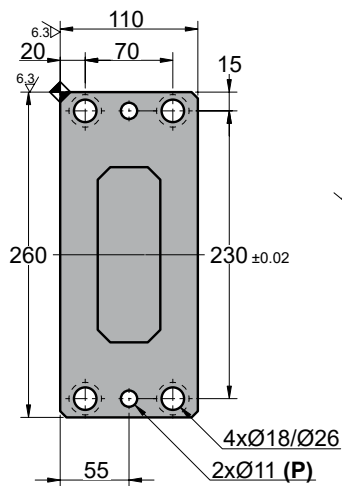
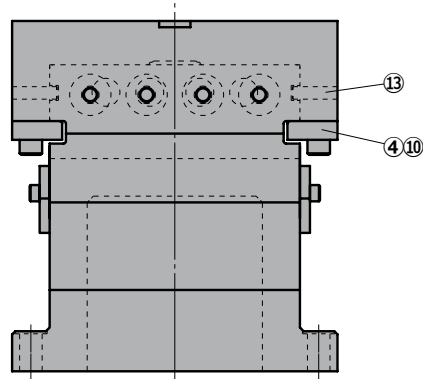
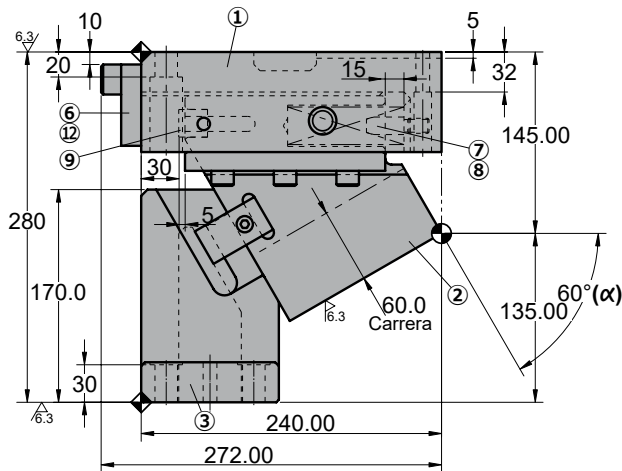
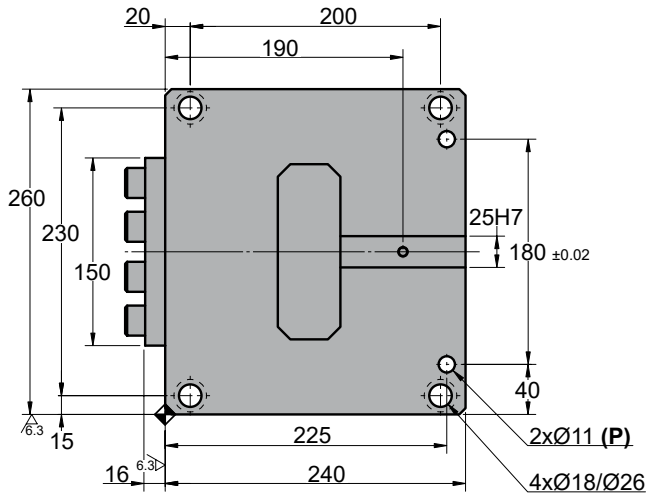
No.	Description	Qty.	Material
①	Cam Holder	1	GG25
②	Cam Slider	1	GGG50 + G
③	Cam Driver	1	GGG50 + G
④	Slider Plate	2	CK45 + G
⑤	Positive Return	2	CK45
⑥	Stopper Plate	1	CK45
⑦	Spring guide	4	CK45
⑧	Coil Spring	4	TM30-125
⑨	Cushioning Stopper	4	Urethane
⑩	Screw	6	M12 x 35
⑪	Screw	2	M8 x 25
⑫	Screw	4	M16 x 45
⑬	Screw	2	M10 x 25

AUKE 0200

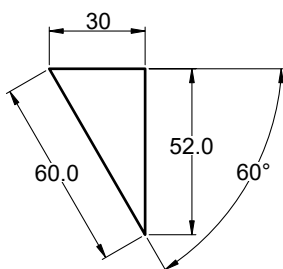
Aerial cam for pierce and flange



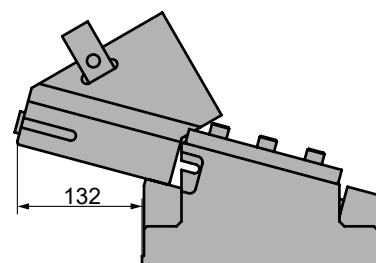
AUKE 0200 60



◦Cam diagram:



◦Disassembling space:





AUKE 0200

Aerial cam for pierce and flange

Stroke (mm)	Working force kN - (tons)		Spring Force N - (kgf)		Weight (Kg)	Model	W (mm)	α (mm)
	(1 Million Strokes)	(300.000 Strokes)	Initial F ₀	Final F ₁				
60.0	117.7 (12.0)	235.4 (24.0)	350.4 (35.8)	5614.1 (572.5)	73.9	AUKE	0200	60



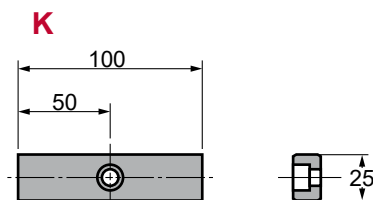
Order: Model (W) (α)
AUKE 0200 60

Standard order example according to catalog sheet.
 Add options applying options table contents.

OPTIONS

K

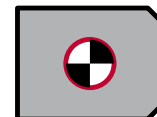
KEY



1 x M8x15

P PINS

Opcional diameters
Ø12H7 - Ø13H7 - Ø16H7



- P16** - Ø16 H7.
- PH16** - Ø16 H7. **only cam holder**
- PD16** - Ø16 H7. **only cam driver**

Order Options: Model (W) (α)-Option



- AUKE 0200 60-K**
- AUKE 0200 60-P16**
- AUKE 0200 60-P16-K**



SPARE PARTS:

- ⑧ Coil Spring

COMPONENTS

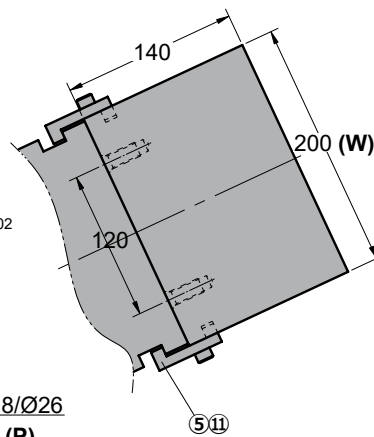
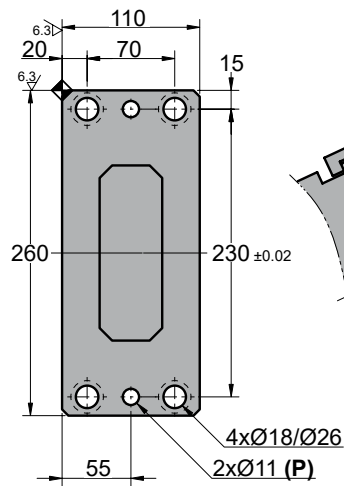
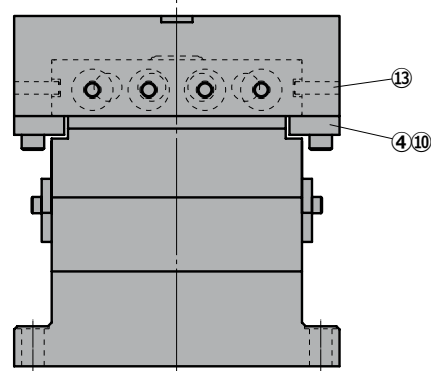
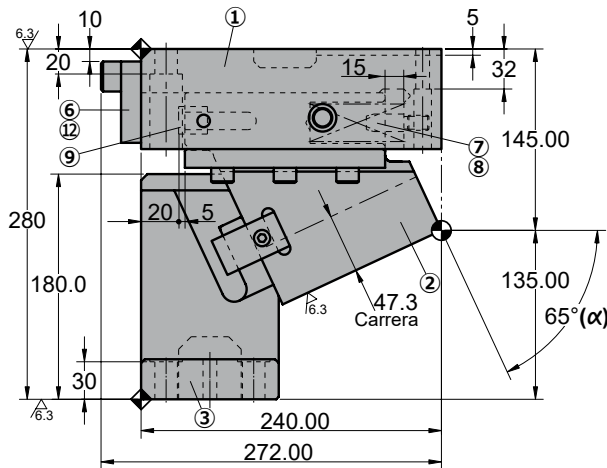
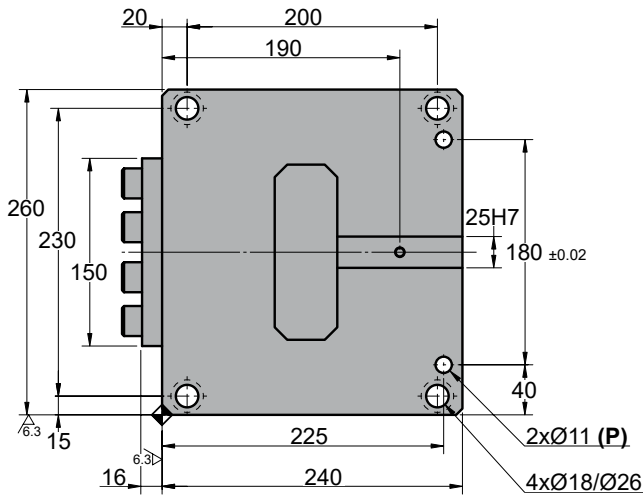
No.	Description	Qty.	Material
①	Cam Holder	1	GG25
②	Cam Slider	1	GGG50 + G
③	Cam Driver	1	GGG50 + G
④	Slider Plate	2	CK45 + G
⑤	Positive Return	2	CK45
⑥	Stopper Plate	1	CK45
⑦	Spring guide	4	CK45
⑧	Coil Spring	4	TM30-125
⑨	Cushioning Stopper	4	Urethane
⑩	Screw	6	M12 x 35
⑪	Screw	2	M8 x 25
⑫	Screw	4	M16 x 45
⑬	Screw	2	M10 x 25

AUKE 0200

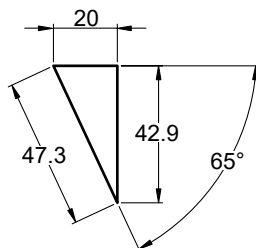
Aerial cam for pierce and flange



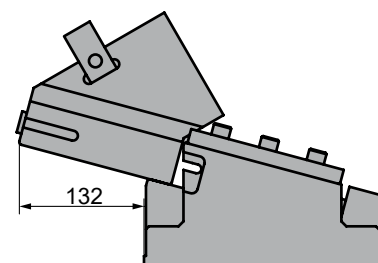
AUKE 0200 65



Cam diagram:



Disassembling space:





AUKE 0200

Aerial cam for pierce and flange

Stroke (mm)	Working force kN - (tons)		Spring Force N - (kgf)		Weight (Kg)	Model	W (mm)	α (mm)
	(1 Million Strokes)	(300.000 Strokes)	Initial F ₀	Final F ₁				
47.3	117.7 (12.0)	235.4 (24.0)	1096.0 (111.8)	5483.0 (559.1)	77.2	AUKE	0200	65



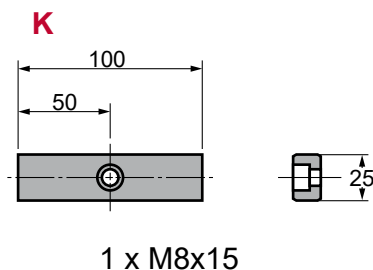
Order: Model (W) (α)
AUKE 0200 65

Standard order example according to catalog sheet.
 Add options applying options table contents.

OPTIONS

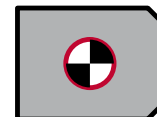
K

KEY



P PINS

Opcional diameters
Ø12H7 - Ø13H7 - Ø16H7



- P16** - Ø16 H7.
- PH16** - Ø16 H7. **only cam holder**
- PD16** - Ø16 H7. **only cam driver**

Order Options: Model (W) (α)-Option



- AUKE 0200 65-K**
- AUKE 0200 65-P16**
- AUKE 0200 65-P16-K**



SPARE PARTS:

- ⑧ Coil Spring

COMPONENTS

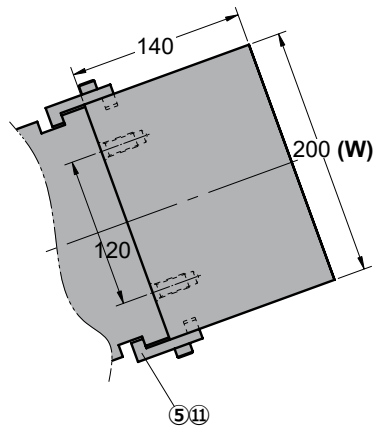
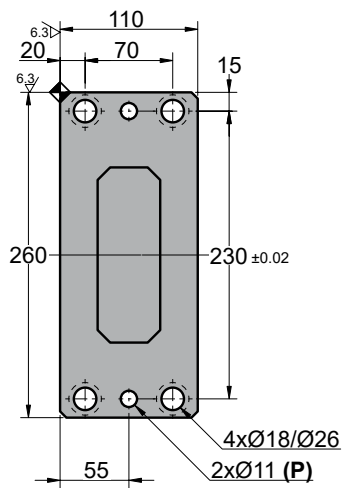
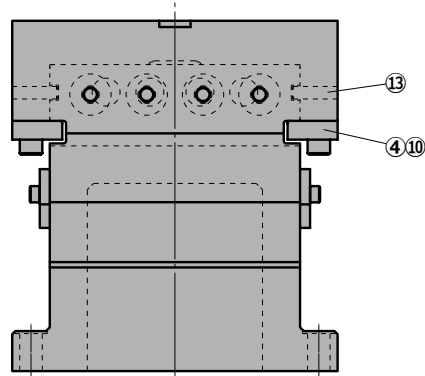
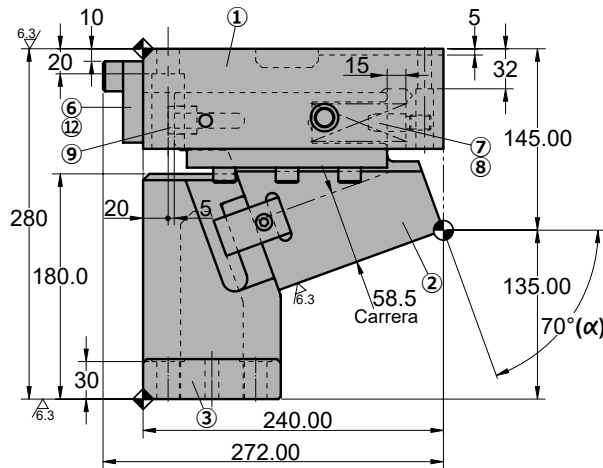
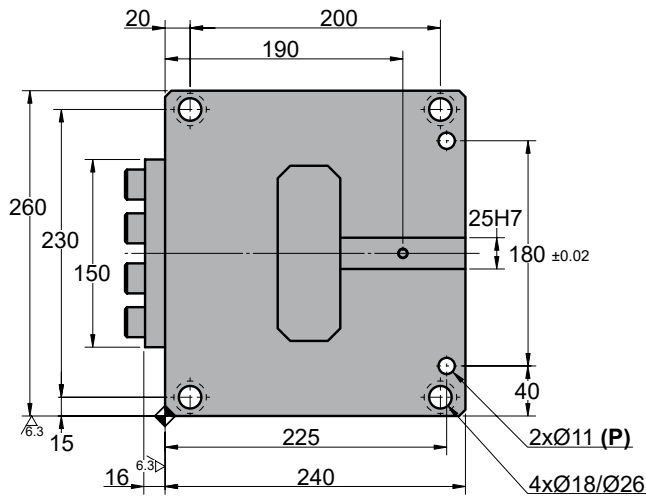
No.	Description	Qty.	Material
①	Cam Holder	1	GG25
②	Cam Slider	1	GGG50 + G
③	Cam Driver	1	GGG50 + G
④	Slider Plate	2	CK45 + G
⑤	Positive Return	2	CK45
⑥	Stopper Plate	1	CK45
⑦	Spring guide	4	CK45
⑧	Coil Spring	4	TM30-100
⑨	Cushioning Stopper	4	Urethane
⑩	Screw	6	M12 x 35
⑪	Screw	2	M8 x 25
⑫	Screw	4	M16 x 45
⑬	Screw	2	M10 x 25

AUKE 0200

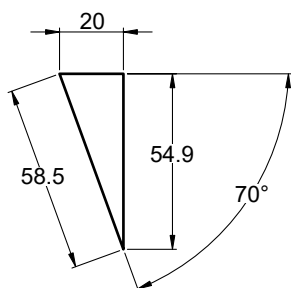
Aerial cam for pierce and flange



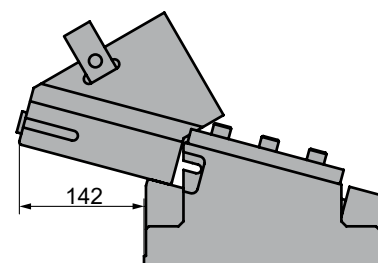
AUKE 0200 70



◦Cam diagram:



◦Disassembling space:





AUKE 0200

Aerial cam for pierce and flange

Stroke (mm)	Working force kN - (tons)		Spring Force N - (kgf)		Weight (Kg)	Model	W (mm)	α (mm)
	(1 Million Strokes)	(300.000 Strokes)	Initial F ₀	Final F ₁				
58.5	117.7 (12.0)	235.4 (24.0)	1096.0 (111.8)	5483.0 (559.1)	72.2	AUKE	0200	70



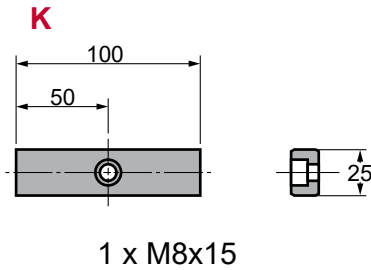
Order: Model (W) (α)
AUKE 0200 70

Standard order example according to catalog sheet.
 Add options applying options table contents.

OPTIONS

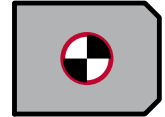
K

KEY



P PINS

Opcional diameters
Ø12H7 - Ø13H7 - Ø16H7



- P16** - Ø16 H7.
- PH16** - Ø16 H7. **only cam holder**
- PD16** - Ø16 H7. **only cam driver**

Order Options: Model (W) (α)-Option



- AUKE 0200 70-K**
- AUKE 0200 70-P16**
- AUKE 0200 70-P16-K**



SPARE PARTS:

- ⑧ Coil Spring

COMPONENTS

No.	Description	Qty.	Material
①	Cam Holder	1	GG25
②	Cam Slider	1	GGG50 + G
③	Cam Driver	1	GGG50 + G
④	Slider Plate	2	CK45 + G
⑤	Positive Return	2	CK45
⑥	Stopper Plate	1	CK45
⑦	Spring guide	4	CK45
⑧	Coil Spring	4	TM30-100
⑨	Cushioning Stopper	4	Urethane
⑩	Screw	6	M12 x 35
⑪	Screw	2	M8 x 25
⑫	Screw	4	M16 x 45
⑬	Screw	2	M10 x 25

AUKE 0200



Aerial cam for pierce and flange